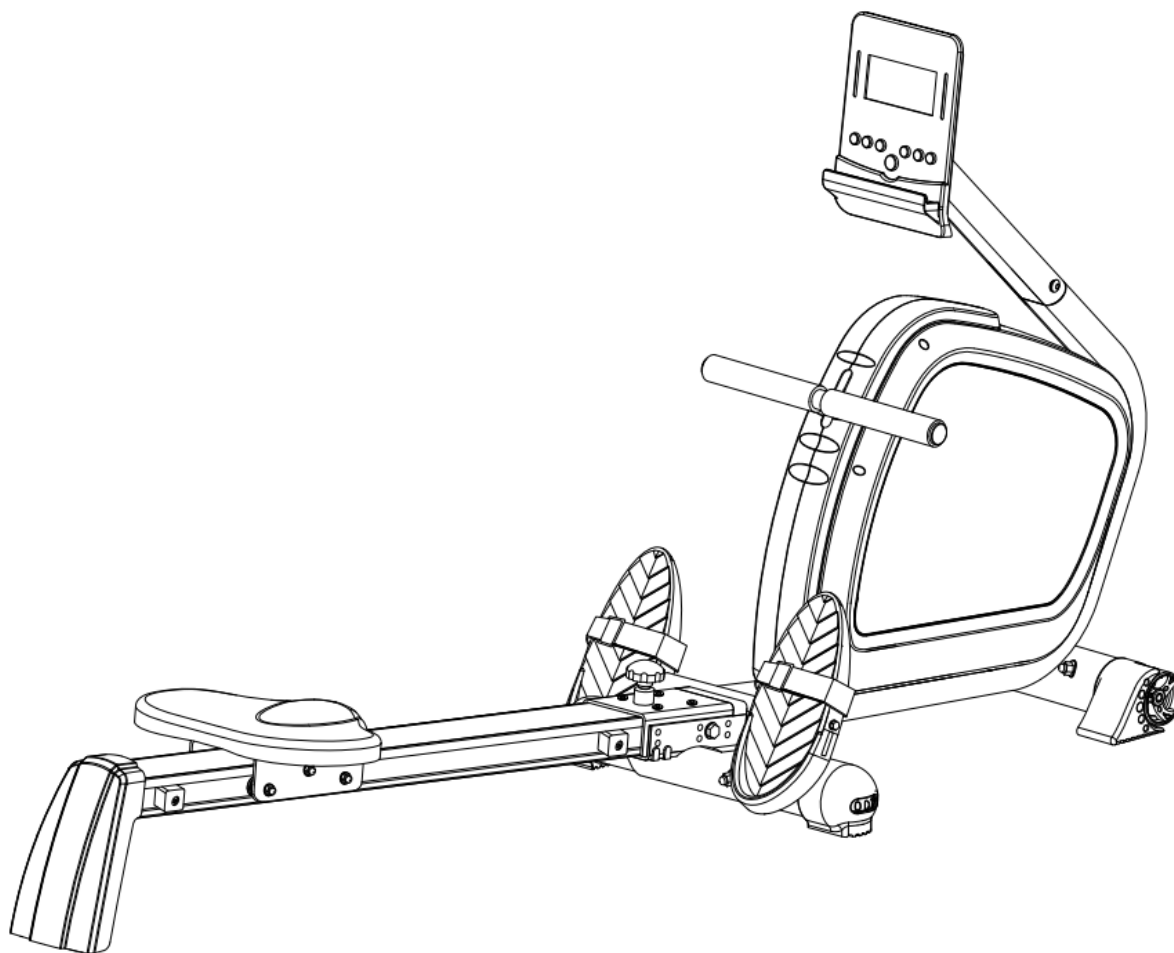




**USER MANUAL – EN**  
**IN 8722 Rowing Machine inSPORTline RW60**



# CONTENTS

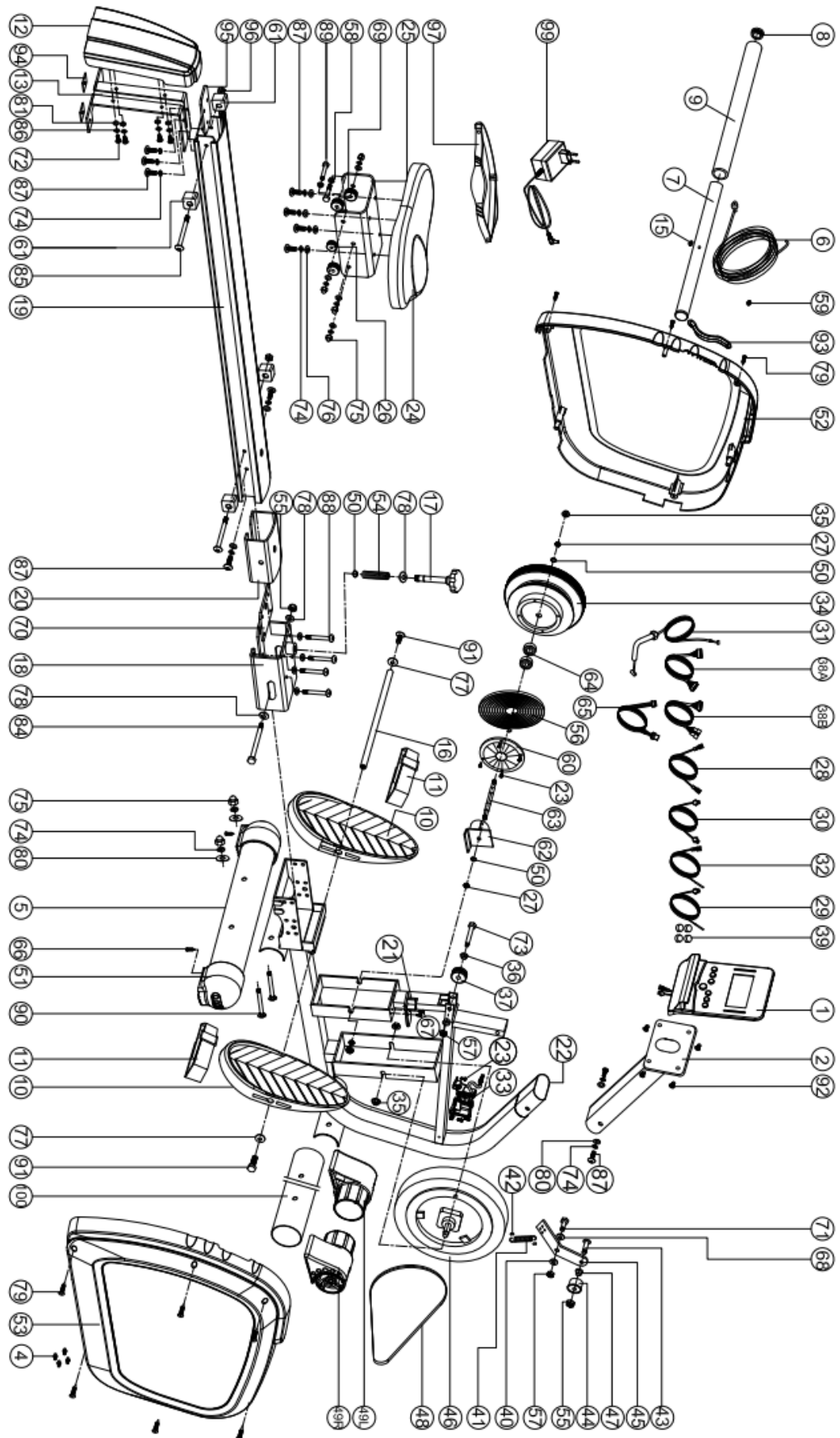
- SAFETY INSTRUCTIONS..... 3
- DRAWING ..... 4
- PARTS LIST ..... 5
- ASSEMBLY ..... 8
- CONSOLE ..... 13
  - DISPLAYED INFORMATION..... 13
  - BUTTONS ..... 14
  - USE ..... 14
- BLUETOOTH..... 19
  - iConsole app ..... 19
  - Kinomap app ..... 21
- WARM UP ..... 25
- HOW TO EXERCISE..... 28
- MAINTENANCE ..... 28
- STORAGE ..... 28
- IMPORTANT NOTICE..... 28
- ENVIRONMENT PROTECTION ..... 29
- TERMS AND CONDITIONS OF WARRANTY, WARRANTY CLAIMS..... 29

SevenSport s.r.o. reserves the right to make any changes and improvements to its product without prior notice. Visit our website [www.insportline.eu](http://www.insportline.eu) where you will find the latest version of the manual.

## SAFETY INSTRUCTIONS

- Read this manual carefully before first using and retain it for future reference.
- Observe all warnings and precautions including assembly steps. Use it only for intended purpose.
- Assemble and use it only according to this manual to assure your safety. Inform all other users about safe usage.
- Keep it away from children and pets. Don't let children unattended near this device. Only an adult person may assemble and use it.
- Ask your physician for advice before starting any exercise program. It is especially necessary if you suffer from some health problems or if you take some medication that could affect your heart rate, blood pressure or cholesterol level.
- Observe body signals. If you feel some problems (pain, tightness in chest, irregular heartbeat, breathing shortness, dizziness or nausea), stop immediately. Improper exercising can result in serious health problems or in an injury.
- Put it only on a flat, dry and clean surface and keep a safety clearance of at least 0.6 m from other objects for higher safety. Use a protective cover to protect carpet or floor.
- Wear adequate sports clothes and sports shoes. Avoid too loose clothes.
- Don't use it outdoors.
- Check this device for damage or wearing before each using. Regularly check all bolts and nuts. They should be well tightened. Re-tighten, if necessary. Never use damaged or worn device to assure your safety.
- If some sharp edges occur, stop using.
- If you hear some unusual noises coming from this device, stop using.
- No adjustable part should protrude and obstruct user movements. Only one person may use it at time.
- It is not intended for therapeutic purpose.
- Pay attention while lifting or transporting it to avoid back injury. Use only proper lifting techniques or ask some other person for help.
- Don't do any improper modification of this product. If necessary, contact authorized service.
- **Weight limit:** 150 kg
- **Category:** HA according to EN 957 for home use
- **WARNING!** The heart rate frequency monitoring may not be completely accurate. Overexertion during training can lead to a serious injury or even death. If you start to feel faint, stop the exercise immediately.

# DRAWING




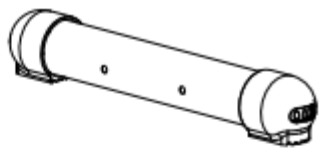
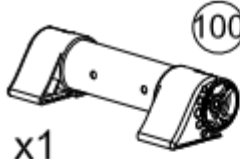
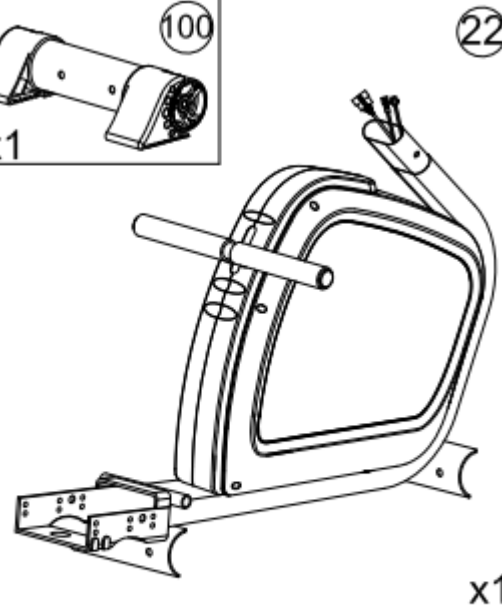

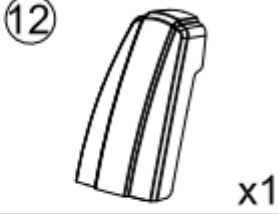
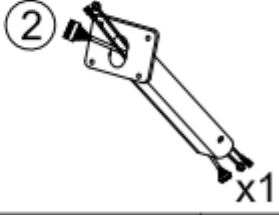

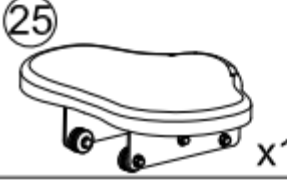
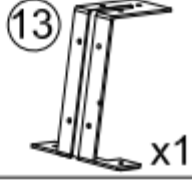




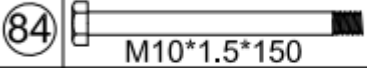
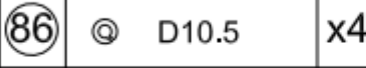

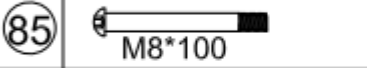
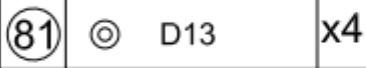
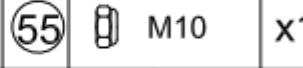
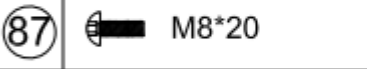
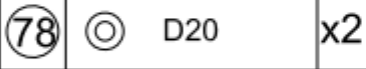
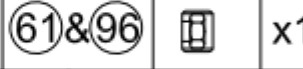
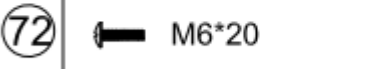
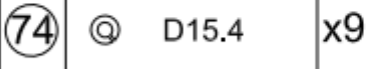
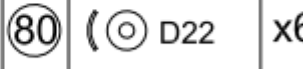
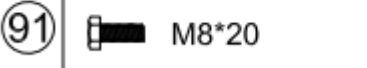

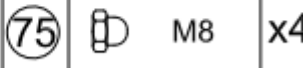
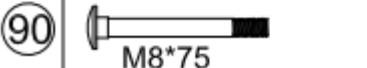


## PARTS LIST

NO.	DESCRIPTION	Q'TY
1	Computer	1
2	Handlebar post	1
4	Pin	4
5	Stabilizer	1
6	Pulling rope D5*2000L	1
7	Foam roller	1
8	Half ball cap	2
9	Foam D23x4Tx400L	1
10	Pedal	2
11	Ankle strap	2
12	Rear cover	1
13	Rear supporting plate	1
15	Bushing D10.5*D7.5*9T	1
16	Axle	1
17	Ball knob	1
18	Welding set for sliding beam	1
19	Sliding beam	1
20	Fixing plate	1
21	Fixing plate for sensor	1
22	Main frame	1
23	Screw ST4.2*15L	8
24	Seat	1
25	Seat support	1
26	Pulley	2
27	Nut D9.5x5T (3/8"-26UNF)	3
28	Lower computer cable	1
29	Sensor(1)	1
30	Lower computer cable	1
31	Tension cable	1
32	Sensor	1
33	Motor	1
34	Wheel for pulling rope	1
35	Anti-loosen nut 3/8"-26UNFx6.5T	4
36	Bushing D13.5*D10*9	2
37	Pulley	1
38A	Upper computer cable	1

38B	Lower computer cable(2)	1
39	Round magnet	4
40	Plastic washer D10*D24*0.4T	1
41	Spring D2.2*D14*65L	1
42	Plastic cover	2
43	Allen bolt M10*35L	1
44	Idle wheel	1
45	Fixing plate for idle wheel	1
46	Magnetic system	1
47	Bushing D20*D14*11.5	1
48	Belt 300 PJ5	1
49L	Left moveable cap	1
49R	Right moveable cap	1
50	C-clip S-10(1T)	3
51	Adjustable cap	2
52	Left chain cover	1
53	Right chain cover	1
54	Spring D13*D1.2*85.5L	1
55	Nylon nut M10x1.5x10T	1
56	Volute spring 20*0.7T	1
57	Nylon nut M8*1.25*8T	2
58	Bushing D12*D8.2*12.6L	6
59	Buffer D11*7L	1
60	Fixing plate for spring	1
61	Buffer D24*D8*22	4
62	Fixing bracket for volute spring	1
63	Flywheel axle	1
64	Bearing #6000ZZ	2
65	Electric cable	1
66	Screw ST4x1.41x10L	2
67	Screw M5*0.8*10L	2
68	Flat washer D21*D8.5*1.5T	1
69	Pulley	4
70	Enforcing plate	1
71	Bolt M8*25	1
72	Screw M6*1.0*20L	4
73	Ladder screw M8*1.25*55.5L	1
74	Spring washer D15.4*D8.2*2T	17

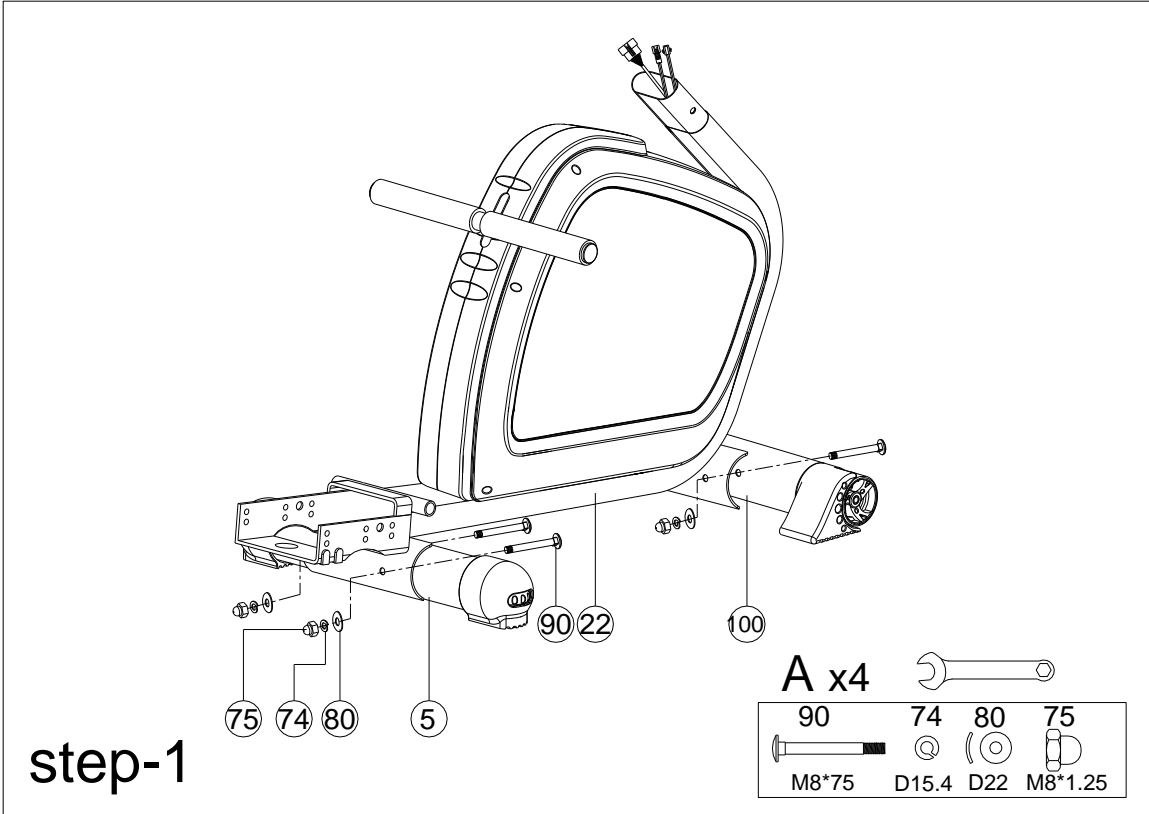
75	Domed nut M8*1.25*15L	6
76	Flat washer D16xD8.5x1.2T	16
77	Flat washer D25*D8.5x2.0T	2
78	Flat washer D20*D11*2T	3
79	Screw ST4.2x1.4x20L	13
80	Curved washer D22*D8.5*1.5T	4
81	Flat washer D13*D6.5*1.0T	4
82	Spanner	2
83	Allen spanner	1
84	Bolt M10*1.5*150L	1
85	Bolt M8*1.25*95L	2
86	Spring washer D10.5*D6.1*1.3T	4
87	Allen bolt M8x1.25x20L	11
88	Bolt M8x1.25x75L	4
89	Bolt M8x1.25x35L	6
90	Square neck bolt M8x1.25x75L	2
91	Bolt M8*1.25*20L	2
92	Bolt M5*0.8*10L	4
93	Pulling guide	1
94	Buffer	2
95	Fixing board	1
96	Nut M8*P1.25*6T	2
97	Chest belt	1
99	Adaptor	1
100	Front stabilizer	1

# ASSEMBLY

 ① x1	 ⑤ x1	 ⑩⑩ x1	 ②② x1
 ⑩ x1	 ⑫ x1	 ② x1	
 ⑬⑥ x1			
 ⑫⑤ x1	 ⑬③ x1	 ⑬⑨ x1	
 ⑬① x1	 ⑨⑨ x1	 ⑨⑦ x1	
 ⑧④ x1	 ⑧⑥ x4	 ⑦⑦ x2	
 ⑧⑤ x1	 ⑧① x4	 ⑤⑤ x1	
 ⑧⑦ x5	 ⑦⑧ x2	 ⑬①&⑨⑥ x1	
 ⑦② x4	 ⑦④ x9	 ⑧① x6	
 ⑨① x2	 ⑨⑤ x1	 ⑦⑤ x4	
 ⑨① x4	 ⑧③ x1		
 ⑧② x2			

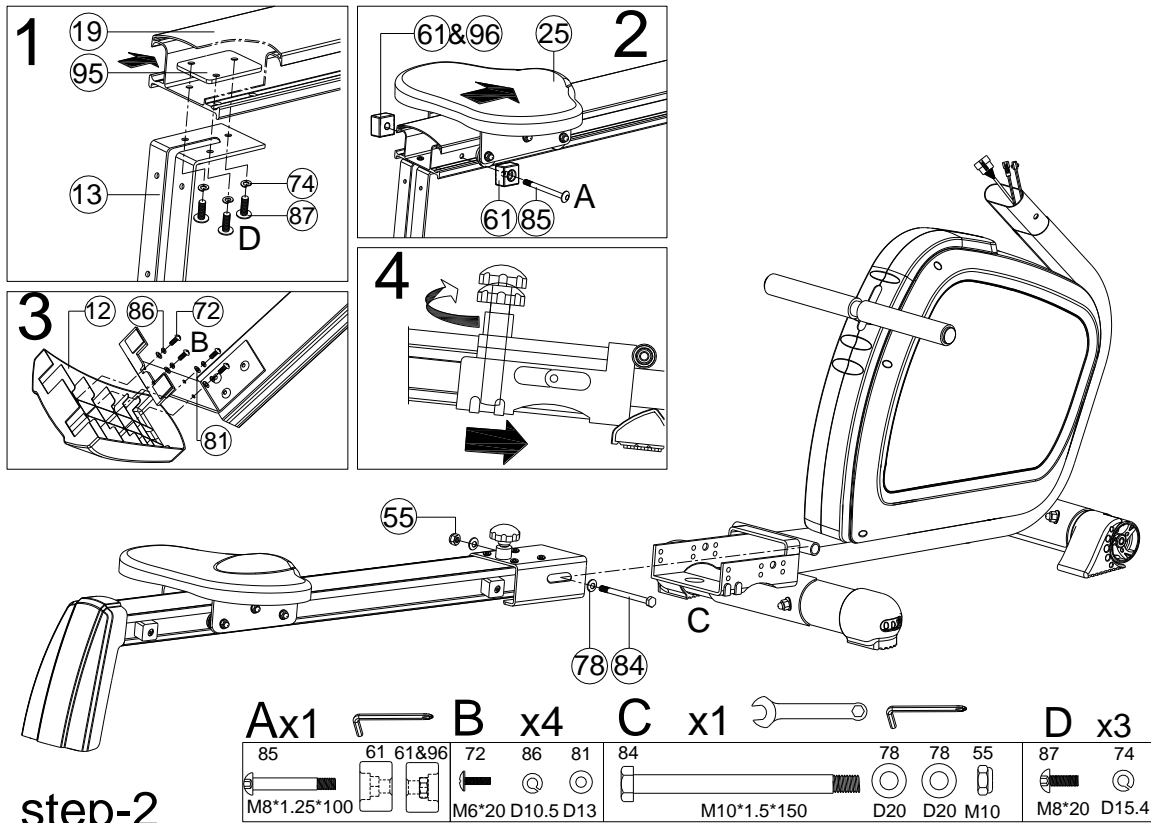


**STEP 1**



- A. Assemble the rear stabilizer (5) to the main frame (22) by using spring washer (74), domed nut (75), curved washer (80) and square neck bolt (90).
- B. Assemble the front stabilizer (100) to the main frame (22) by using spring washer (74), domed nut (75), curved washer (80) and square neck bolt (90).

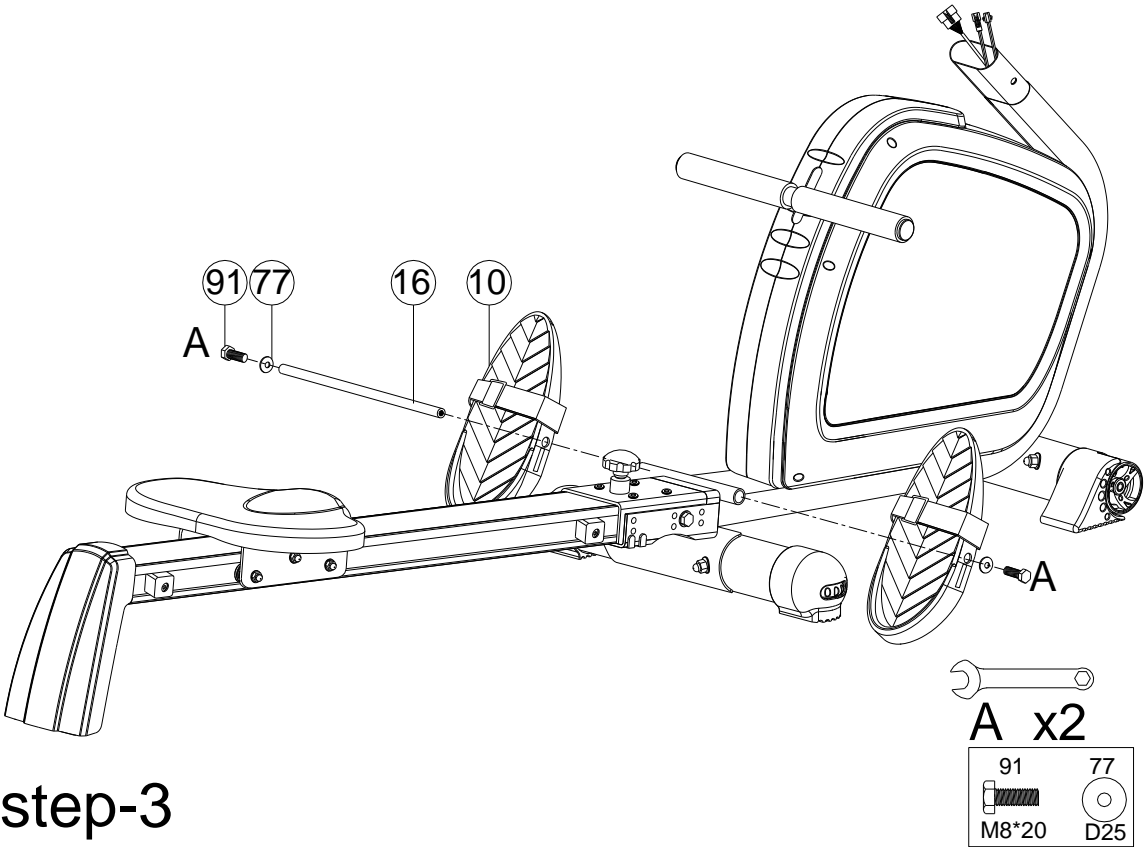
## STEP 2



### step-2

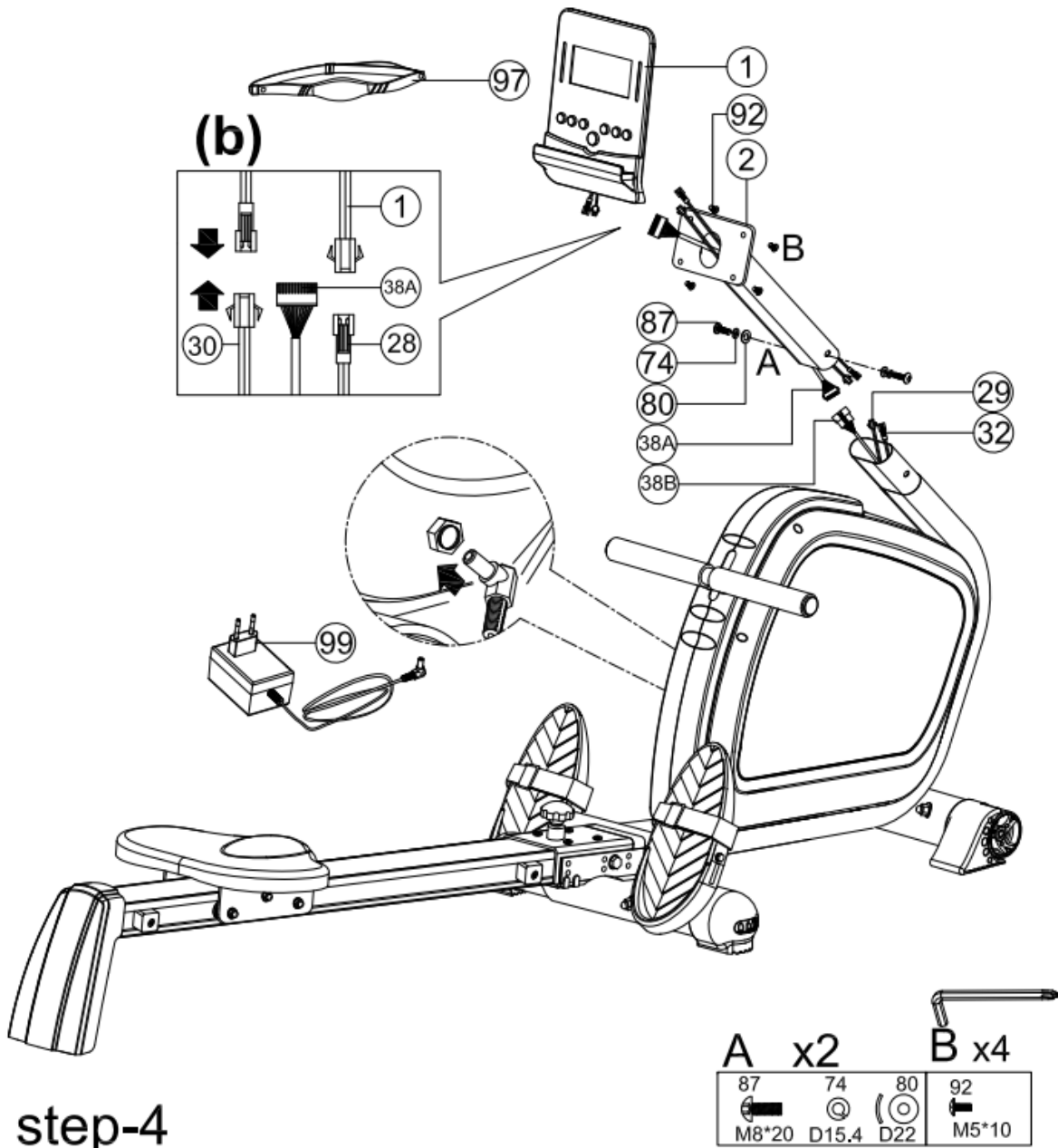
- Assemble the rear supporting plate (13) with sliding beam (19) by fixing plate (95), spring washer (74) and allen bolt (87) as picture 1 shown.
- Assemble the seat support (25) to the sliding beam (19) by using the buffer (61) and the nut (96) and the bolt (85) as picture 2 shown.
- Assemble the rear cover (12) with rear supporting plate (13) by screw (72), flat washer (81) and spring washer (86) as picture 3 shown.
- Assemble whole sliding beam set with main frame by nylon nut (55), flat washer (78) and bolt (84). You can fold the sliding beam by knob (17).

**STEP 3**



Assemble the foot pedal (10) using the axle (16), flat washer (77) and bolt (91).

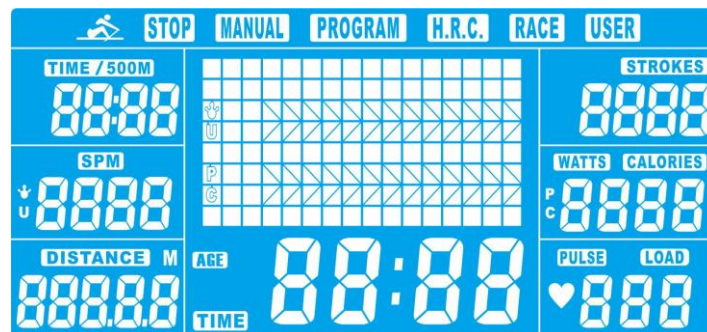
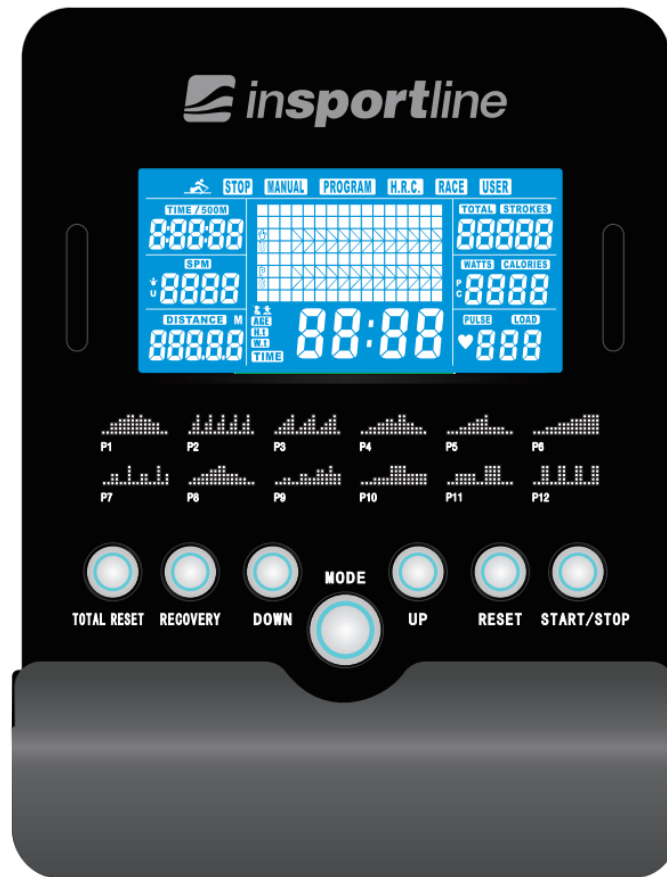
## STEP 4



### step-4

- A. Connect the upper computer cable (38A) and lower computer cable (38B) and then assemble the handlebar post (2) onto the main frame by spring washer (74), curved washer (80) and allen bolt (87) as the picture A shown.
- B. Connecting the lower computer cable (28), Lower computer cable (30) and upper computer cable (38A) with the cables attached to computer (1) as the picture (b) shown. Assemble the computer (1) to the handlebar bar post (2) by bolt (92) as the picture B shown.

## CONSOLE



## DISPLAYED INFORMATION

DISPLAY	DESCRIPTION
WATTS	Display power Display range 0~999
CALORIES	Display burned calories per exercise Display range 0~9999; settings range 0~9990 Cal
DISTANCE	Display distance Display range 0~99999; press to change the value by 100.
PULSE	Display current heart rate Display range 0-30~230

<b>TIME/500M</b>	Display time to reach 500 M Display range 0:00~99:00 Value is updated every 6 seconds; console can display value only if the 500m is reached within the set speed
<b>SPM</b>	Pulls per minute Display range 0~99; Press to change value by 5.
<b>LOAD</b>	Resistance Settings range 1~16
<b>STROKES</b>	Total strokes Display range: 0~9999 The value is deleted when the console is turned off or pull out from power
<b>TIME</b>	Display exercise time
<b>MANUAL</b>	Manual program
<b>PROGRAM</b>	12 preset programs
<b>H.R.C.</b>	Target heart rate program
<b>RACE</b>	Race against preset computer
<b>USER</b>	Creation of user program

## BUTTONS

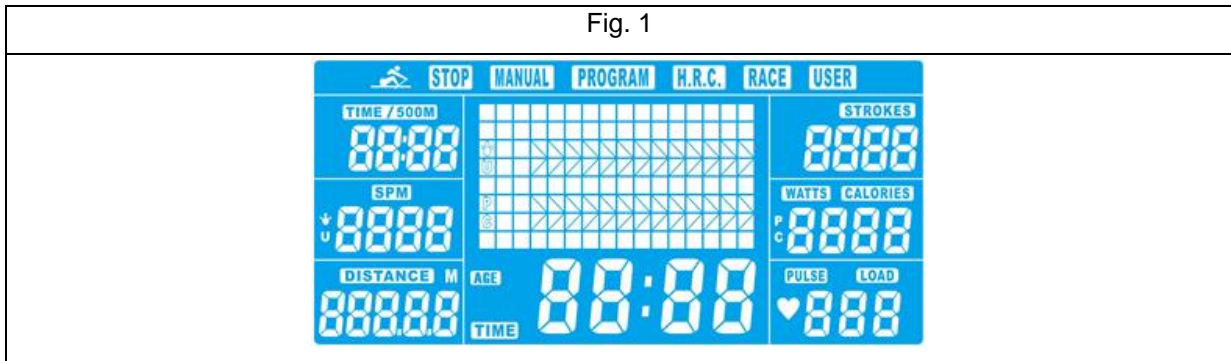
<b>BUTTON</b>	<b>DESCRIPTION</b>
<b>Up</b>	Increase value or navigate up in menu
<b>Down</b>	Decrease value or navigate down in menu
<b>MODE</b>	Confirm change or selection
<b>Reset</b>	Hold the button for 2 seconds to turn on / off the console Reset values Return to main menu after training program is finished
<b>Start / Stop</b>	Turn on / off training program
<b>Recovery</b>	Recovery program

## USE

### TURN ON

Plug into the el. current or hold down the RESET button for 2 seconds, the console will start, and an audible signal will sound, all information will appear on the display for 2 seconds (Fig. 1). You can then select exercise program. No matter at which load level the program ends, it always returns to 1 load level.

Fig. 1



**STANDBY MODE**

If the console does not detect any signal for 4 seconds, it switches to standby mode. All data will be saved for the next training session.

**PROGRAM SELECTION**

You can use the navigation buttons to select the program. The programs are in order: manual - preset program - H.R.C - race - user. Confirm your selection by pressing MODE.

**MANUAL PROGRAM**

Press the START / STOP button in the main menu to start the manual program.

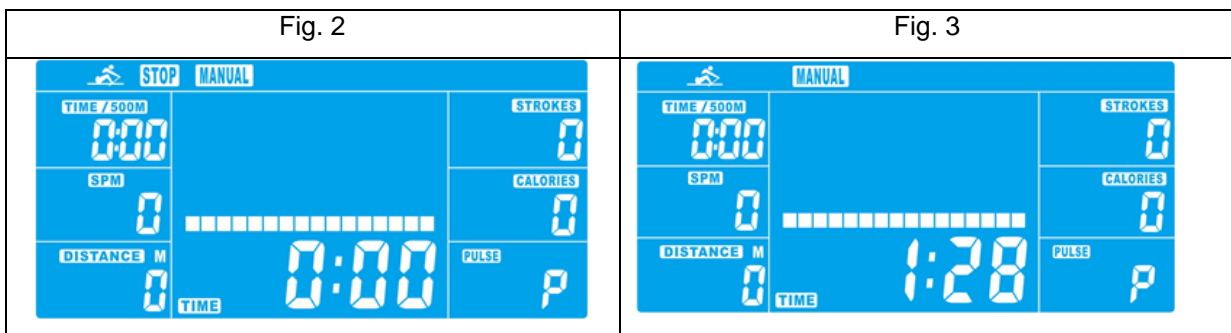
You can also select the manual program using the navigation buttons, select MANUAL and confirm by pressing MODE.

Use the navigation buttons to set the target values: time / distance / calories / pulse and press MODE to confirm (Fig. 2). Time and distance cannot be set at the same time.

Press START / STOP to start the program (Fig.3). The values start to subtract from the set values. Use the navigation buttons to set the resistance between levels 1 - 16.

When one value reaches 0, the console stops and beeps for 8 seconds (press any button to end the beep). Then the average values are displayed. The time is reset to the original set value.

Press RESET to return to the main menu.



**PRESET PROGRAMS**

Use the Navigation buttons to select PROGRAM mode and press MODE.

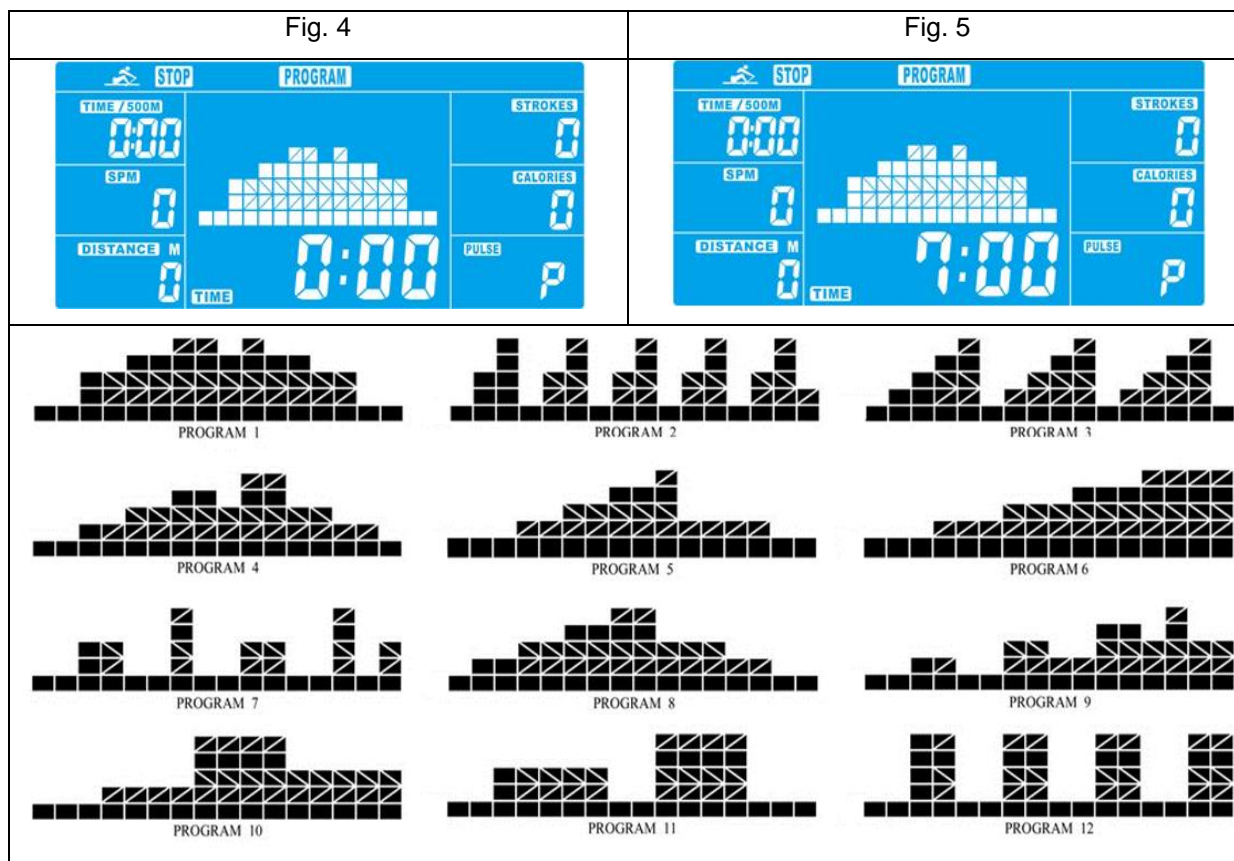
Use the navigation buttons to select program 1 - 12 (Fig. 4). Press MODE to confirm.

Use the navigation buttons to set the time (Fig. 5) and press MODE to confirm.

Press START / STOP to start the program. Use the navigation buttons to adjust the resistance between levels 1 - 16.

When the time value reaches 0, the console stops and beeps for 8 seconds (press any button to end the beep) and the average values are displayed. The time is set to the original value setting.

Press RESET to return to the main menu.



### H.R.C

Use the navigation buttons to select the H.R.C program and press MODE to confirm.

Use the navigation buttons to set the age (the default age is 25 years, Fig. 6.) and press MODE to confirm.

Use the navigation buttons to select 55%, 75%, 90% and the target heart rate (Fig. 7).

Preset heart rate value: 55% (107 beats per minute), 75% (146 beats per minute), 90% (175 beats per minute), TAG (100 beats per minute) is displayed in the PULSE window. If you select your own target heart rate (TAG), the value 100 will flash (Fig. 8) and you can use the navigation buttons to set the values 0-30 ~ 230.

Use the navigation buttons to set the time (Fig. 9).

Use the START / STOP buttons to start the program. If no pulse is detected, the LCD will display the icon . As soon as a pulse is detected, the countdown starts. When the countdown reaches 0, the program stops and beeps for 8 seconds (press any button to stop the beep) and the average values are displayed, and the time returns to the original set value.

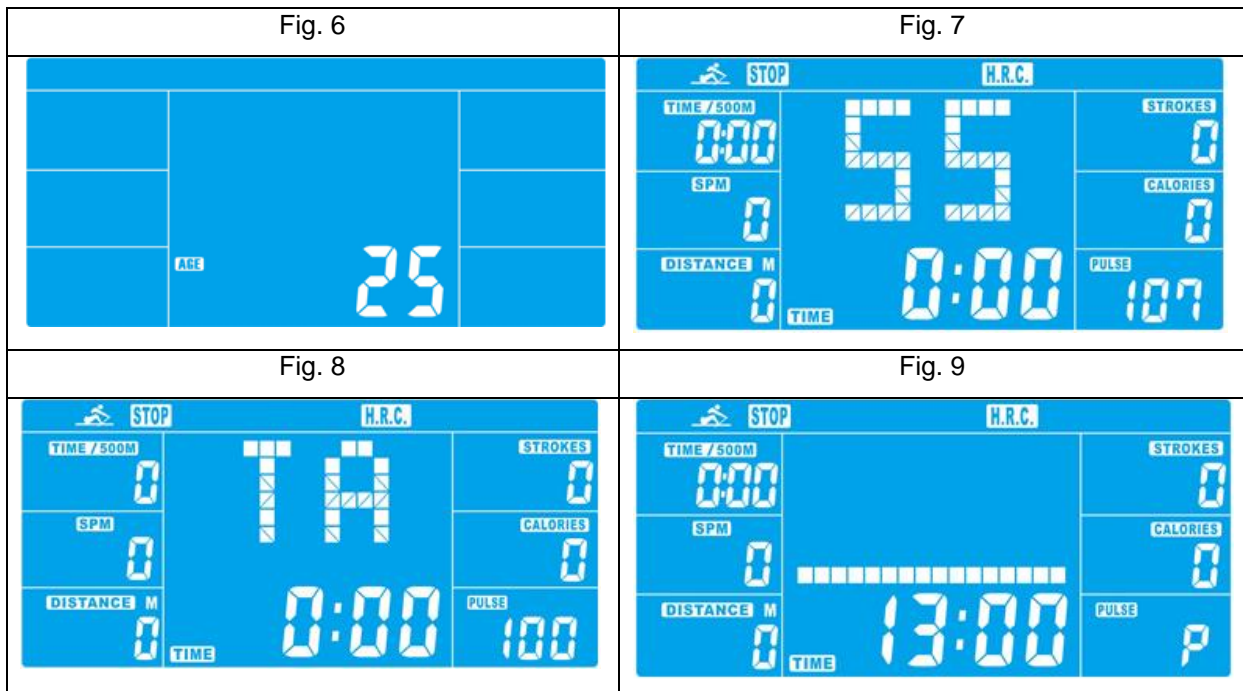
If the pulse does not currently reach the set value, the load level will increase by 1 level every 30 seconds until it reaches the target heart rate, or the load level is at maximum (16).

If the pulse currently exceeds the set value, the load level will decrease by 1 level every 15 seconds and an audible signal will sound every 2 seconds. If the heart rate is higher than the preset value even at resistance level 1 for more than 30 seconds, the console will automatically shut down for user safety.

If no pulse is detected, the load value decreases immediately by 1 level and then every 15 seconds by additional 1 level, if no pulse is detected for 30 seconds, the console shuts down.

Press RESET to return to the main menu.





With higher age, the target heart rate is lower.

## RACE

Use the navigation buttons to select a race (RACE) and press MODE to confirm. (Fig. 10)

Use the navigation buttons to set SPM (default value 10), confirm the distance (default value 500) by pressing MODE. (Fig. 11)

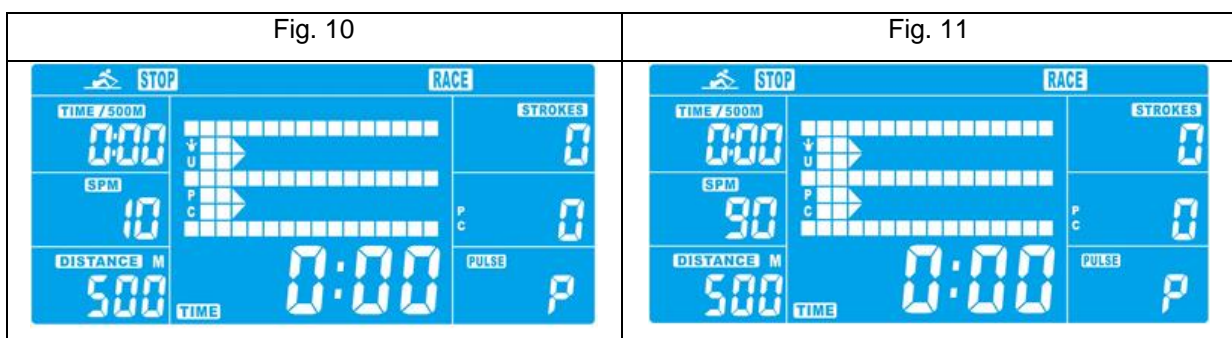
*(Total number of levels is 15, L1 = 1:00 min / 500m, L15 = 8: 00 / 500m, increase is by 0: 30 / 500m)*

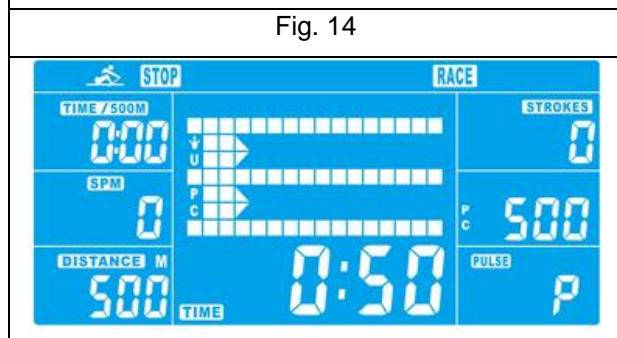
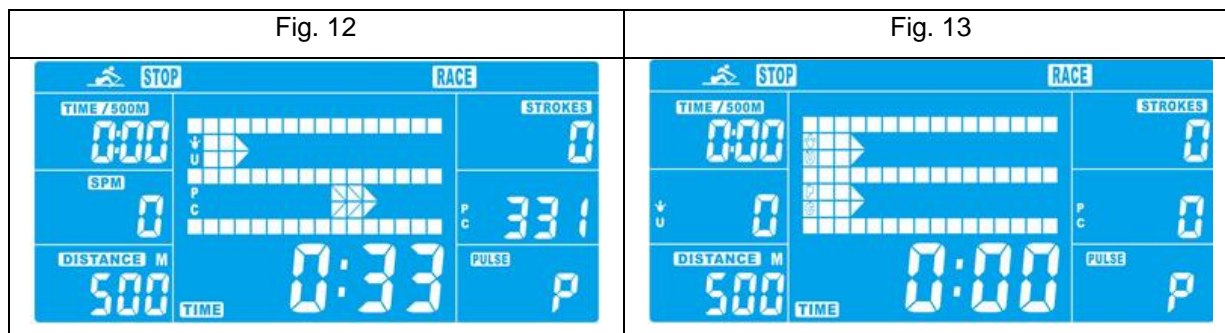
Press the START / STOP button to start the program. The display shows the speed of the user and the computer (Fig. 12).

The progress of the computer is displayed in the PC field, the user's progress in the USER field (Fig. 13).

As soon as any value reaches 0, either by the user or the computer, the program stops, and the data is displayed (Fig. 14). An acoustic signal sounds, press any button to turn off the signal.

Press RESET to return to the main menu.





### USER PROGRAMS

Use the navigation buttons to select USER and press MODE to confirm.

Use the navigation buttons to set the resistance for each part of the program (Fig. 15), press MODE to confirm the resistance, move to the next part of the program, hold down MODE for 2 seconds to exit the setting.

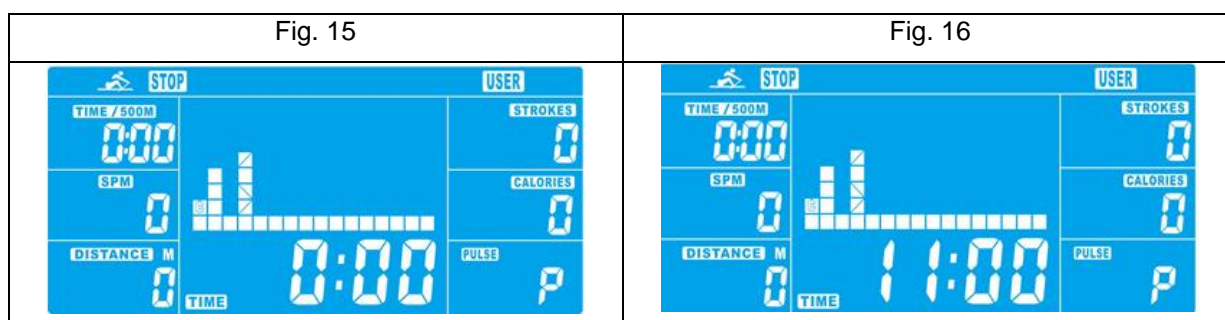
Use the navigation buttons to set the time (Fig. 16) and confirm by pressing MODE.

Use the START / STOP button to start the program, use the navigation buttons to adjust the resistance.

When the training time reaches 0, the console shuts down and an audible signal sound for 8 seconds. Press any button to turn off the beep.

Press START / STOP to pause the program.

Press RESET to return to the main menu.



### RECOVERY MODE

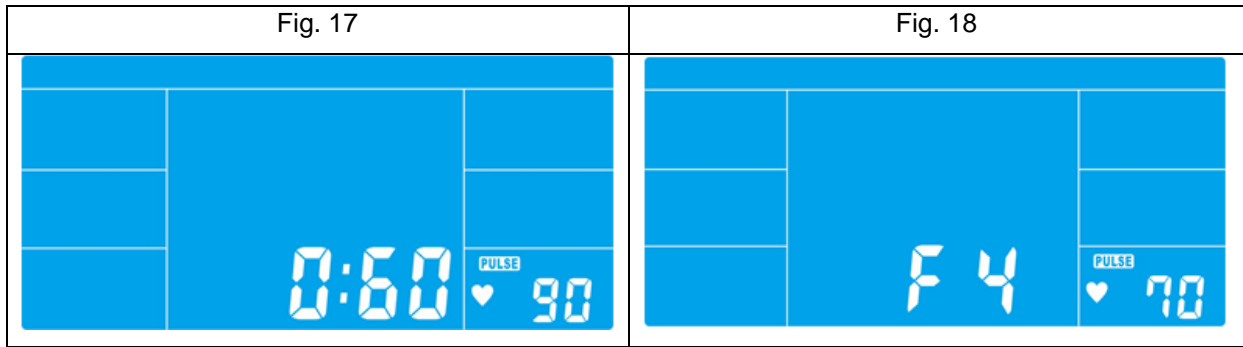
For recovery mode, the user must wear a chest strap. Once a pulse is detected, you can press the RECOVERY button.

All functions except time and pulse stop (Fig. 17), the time displays the countdown 0:60 and the countdown start.

When the countdown reaches 0, the FX results ( $x = 1-6$ ) are displayed (Fig. 18).

Press RECOVERY to return to the main menu.

The values are for guidance only and are not for medical purposes.



1.0	Excellent
$1.0 < F < 2.0$	Very good
$2.0 < F < 2.9$	Good
$3.0 < F < 3.9$	Average
$4.0 < F < 5.9$	Below the average
6.0	Bad

**NOTES:**

If the console displays error E-2, check that the cables are connected correctly.

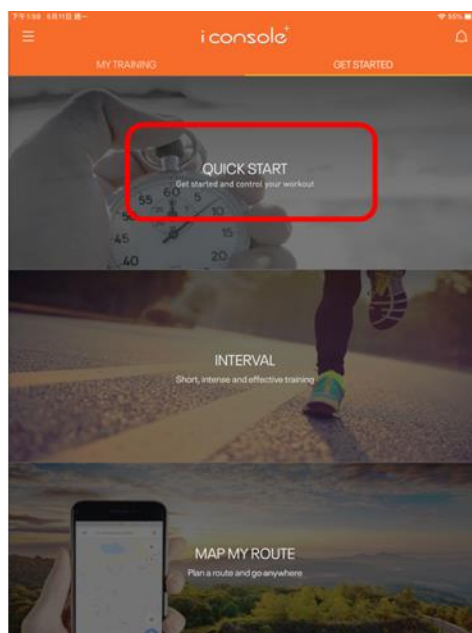
After 4 minutes of inactivity, the console enters sleep mode.

## BLUETOOTH

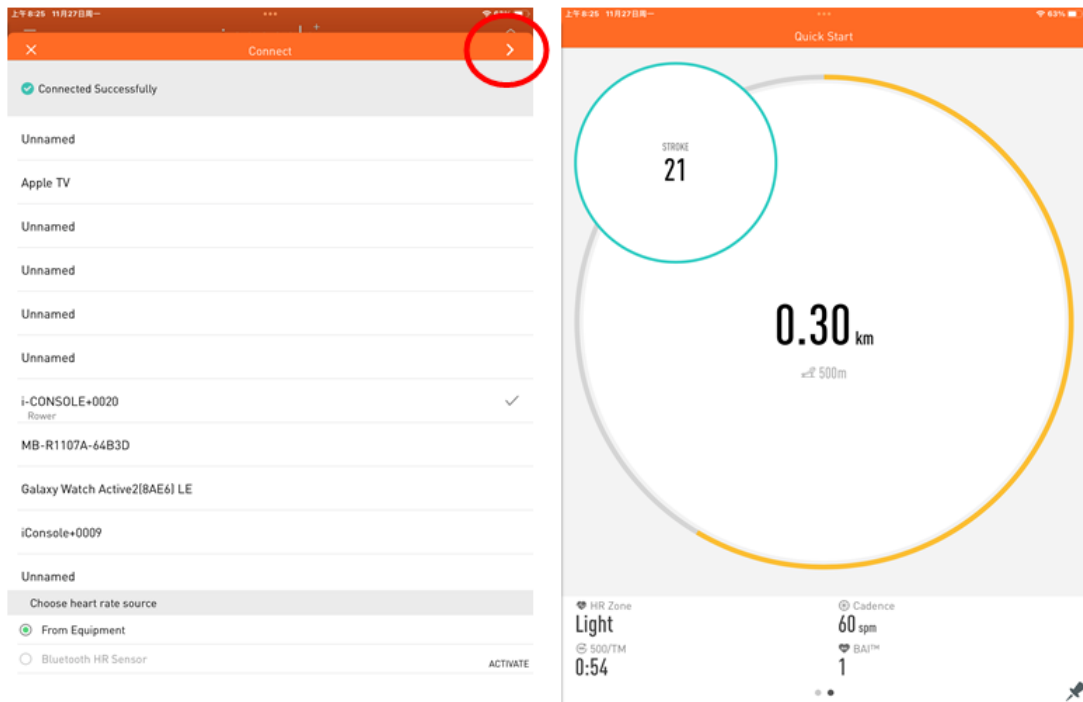
Connection to iConsole +, Kinomap applications

### iConsole app

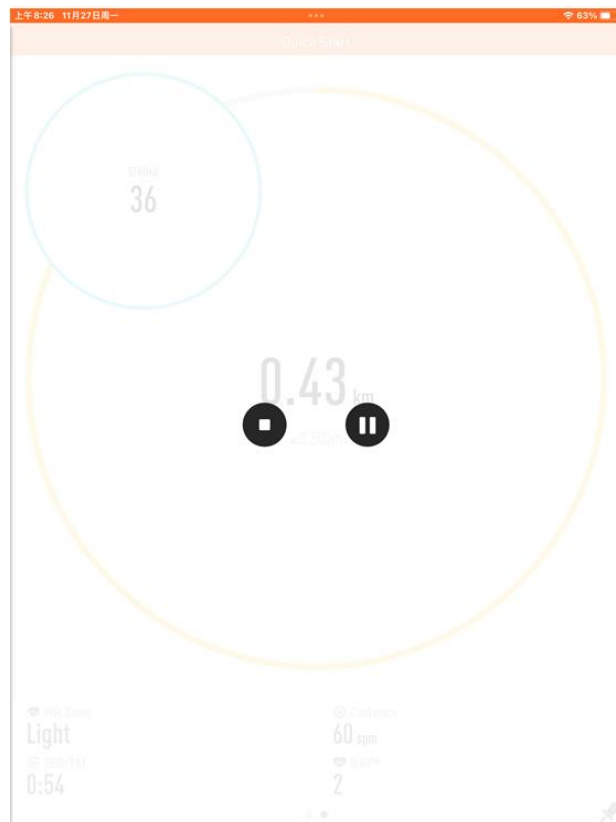
1-1. Open the iConsole+ app and go to the home page, select QuickStart or another training mode.



1-2. Select your Bluetooth device, then press the arrow in the upper right corner to go to the training data view.

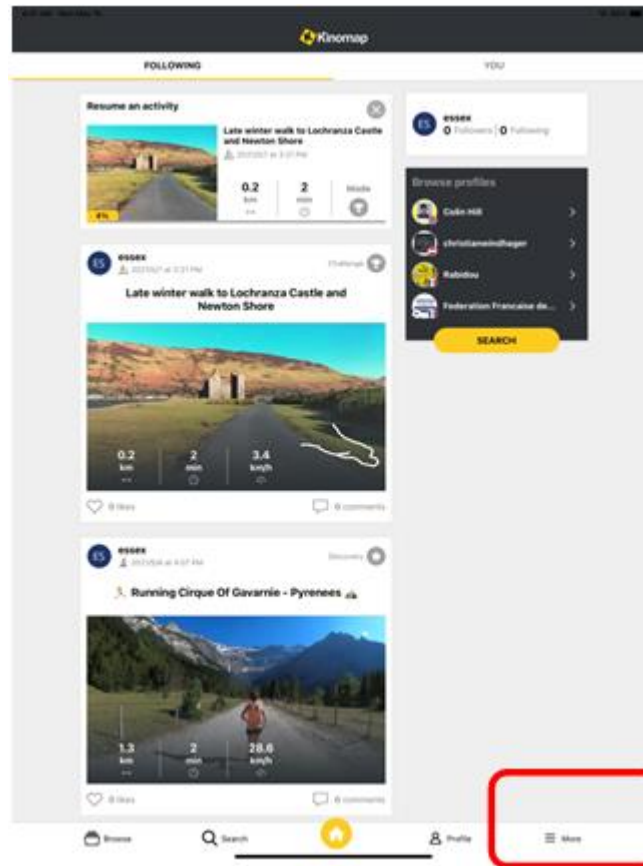


1-3. Press the screen to display the pause (pause training) and stop (end training) buttons.

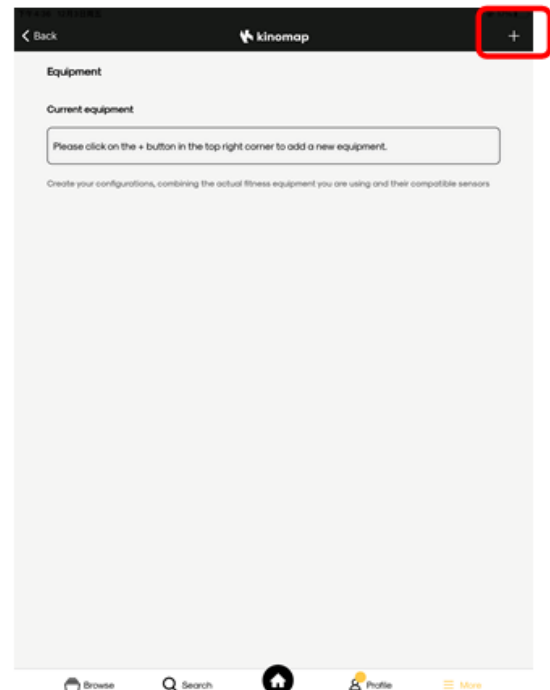
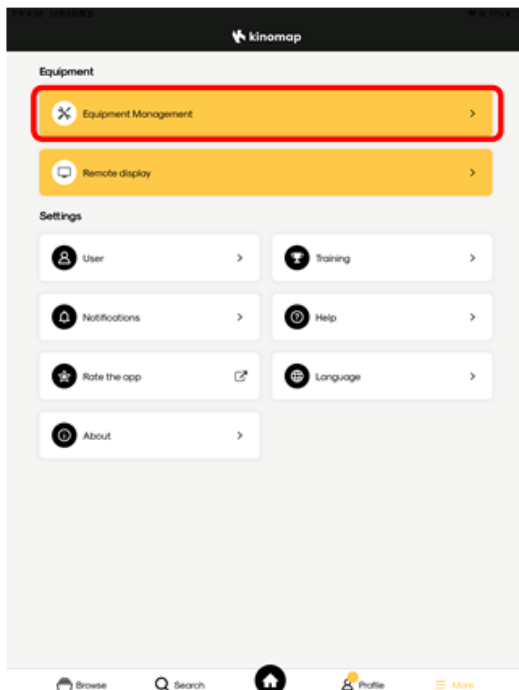


## Kinomap app

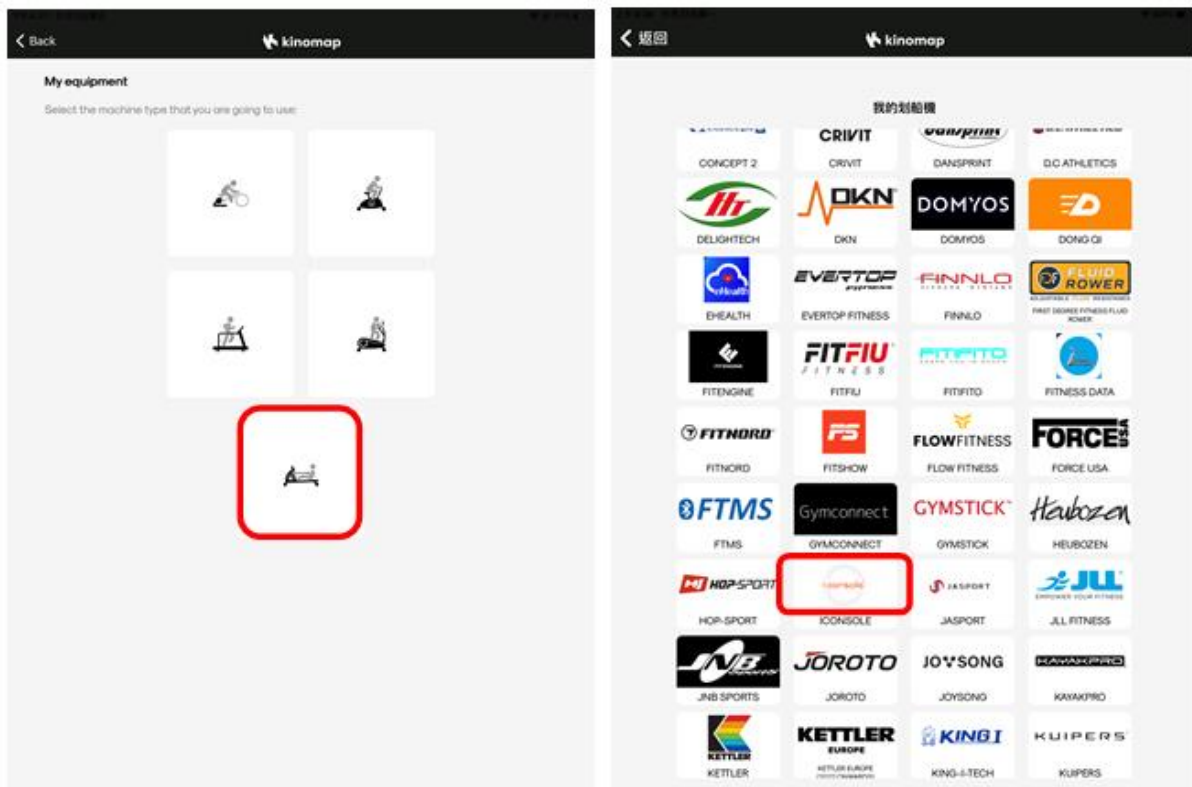
2-1. Open the Kinomap app and go to the home page. Click the "More" button in the lower right corner to add new devices.



2.2. Click on "equipment management" and then click on the "+" symbol in the upper right corner to start adding equipment.

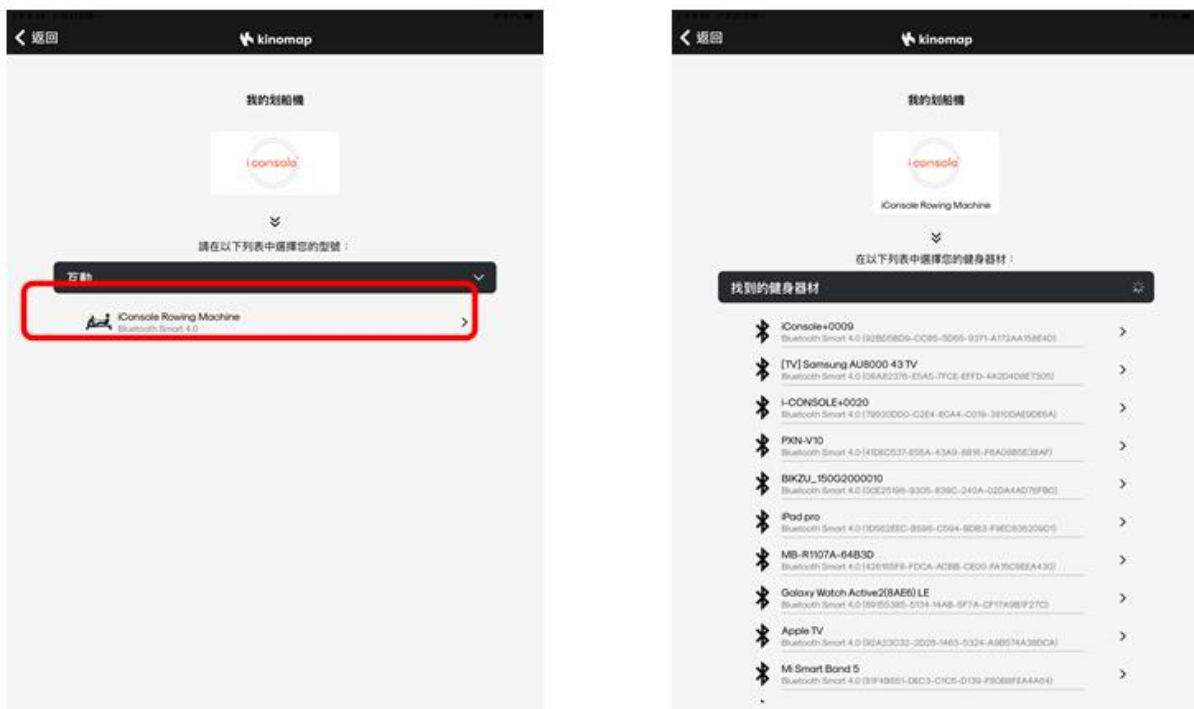


2.3. Click to select the "rowing machine" picture, then the iConsole brand.



2.4. Select Bluetooth device.

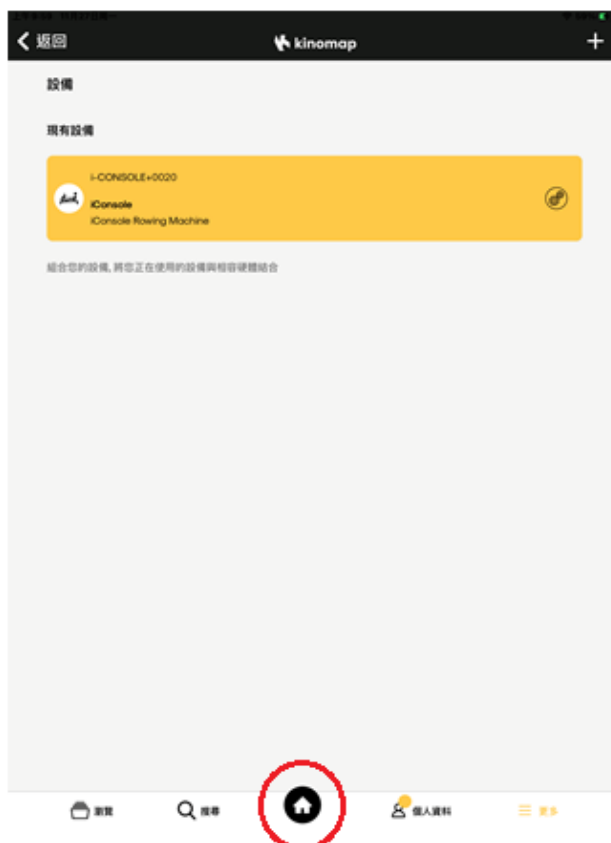
2.4-1 Once the user selects ICONSOLE, click "iConsole Rowing Machine" and then select the Bluetooth device.



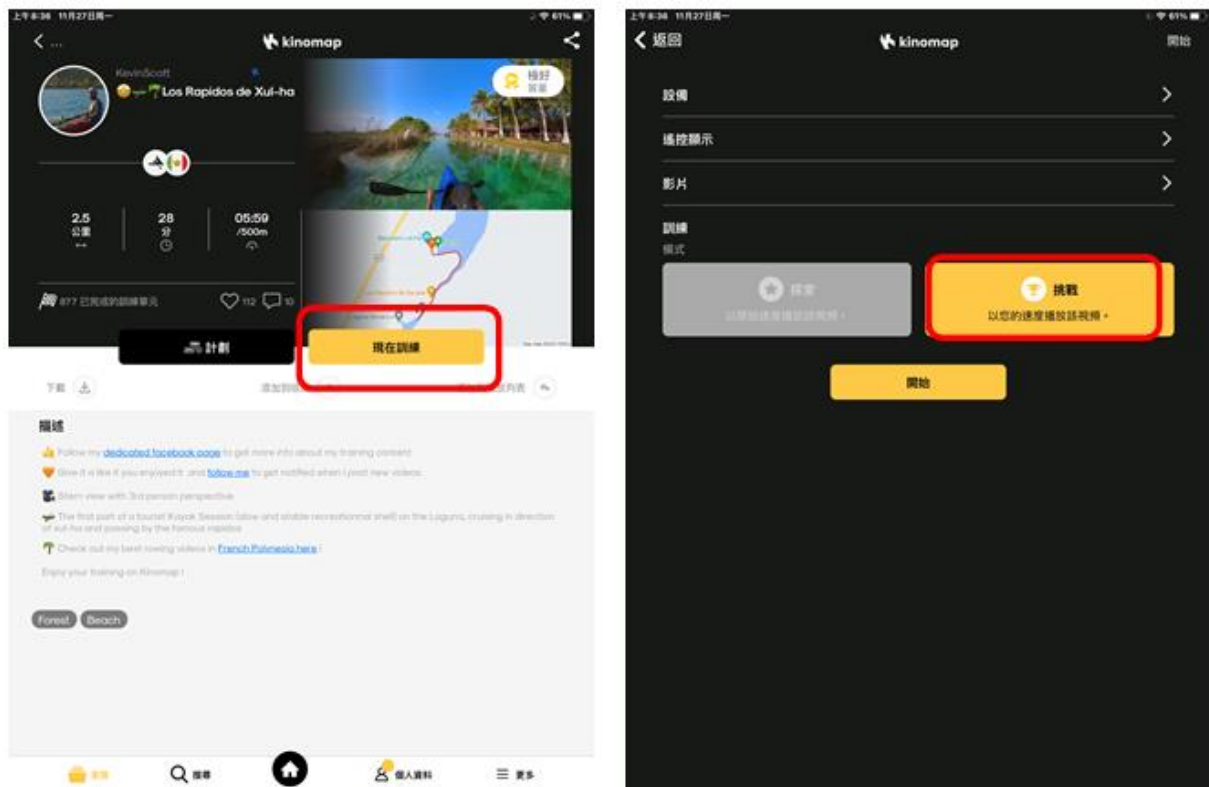
2.6 For Android only: select "add new devices".



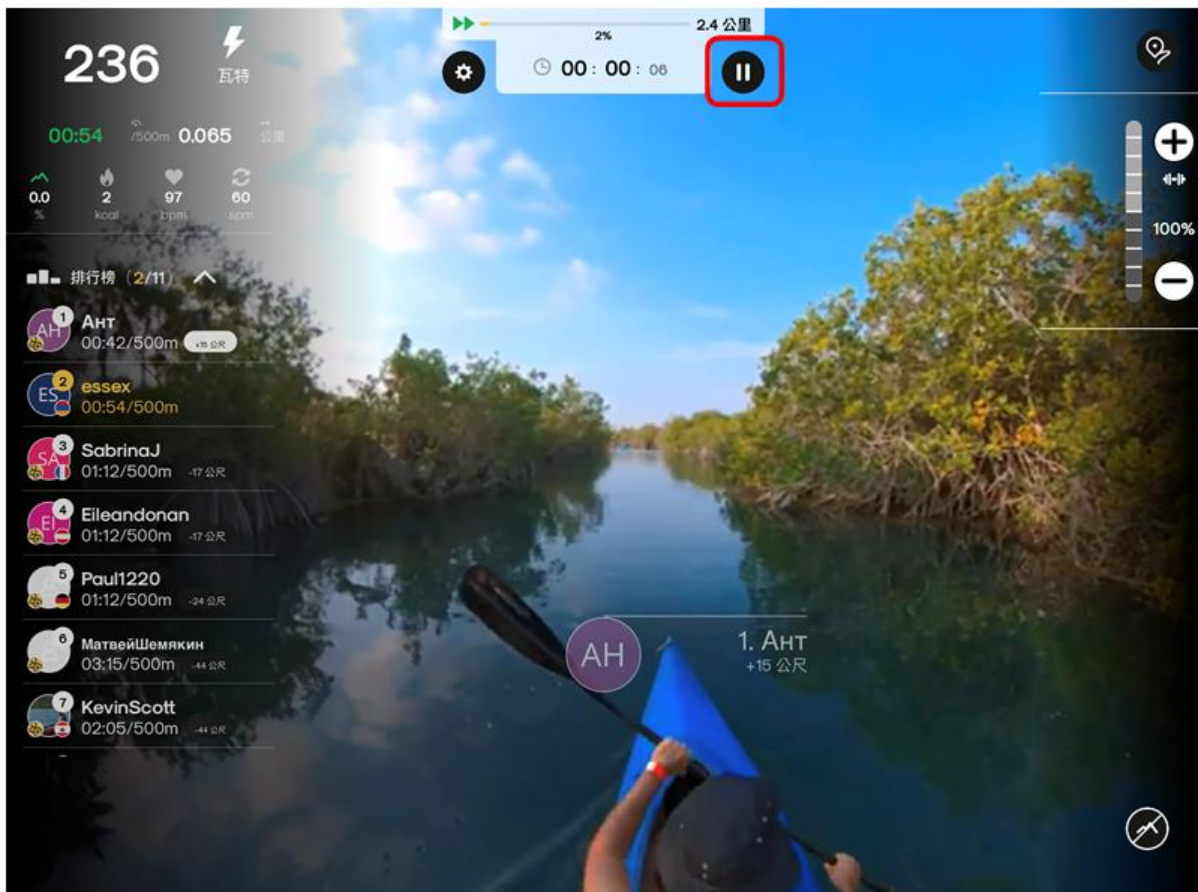
2.7. After adding the device, press the "Home" button to return to the home page.



2.8. To select a training video, you need to select the "rowing machine" and press the button to enter the training screen.

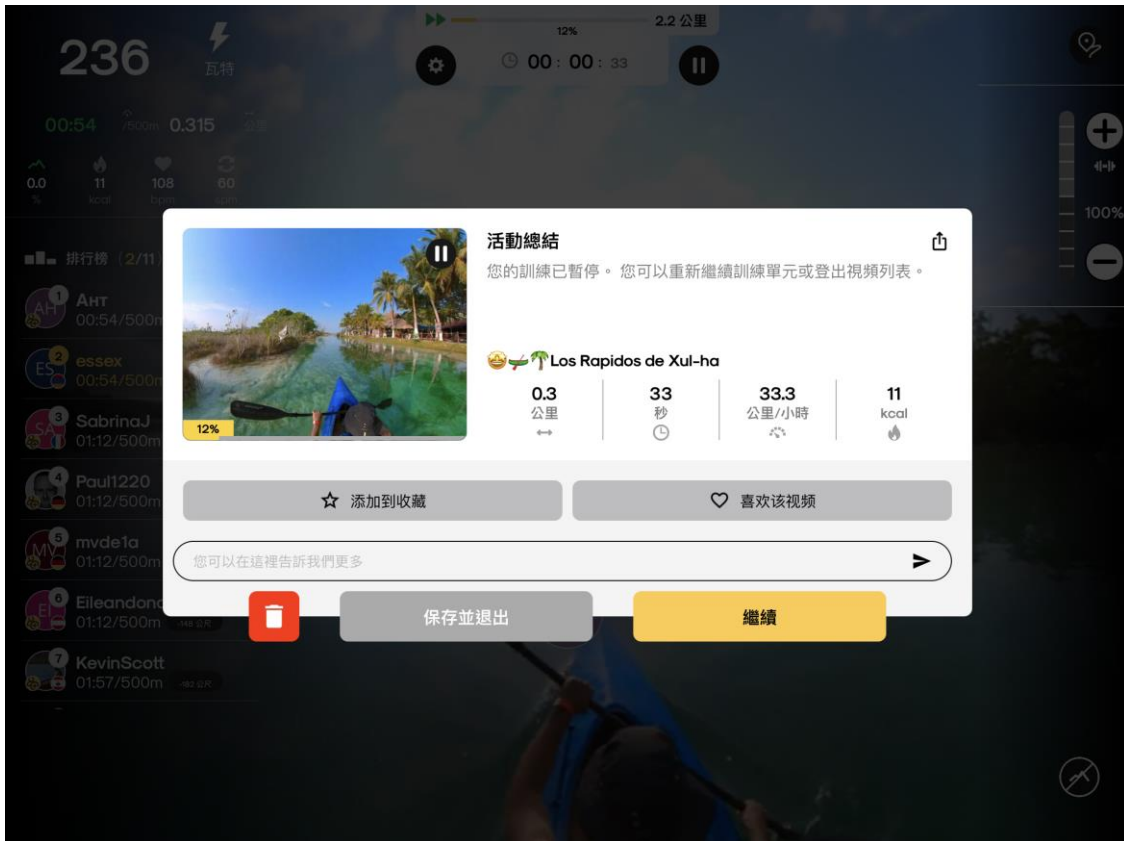


2.9. Start exercising. To stop, press the pause button at the top of the screen.





2.10. If you pause the training, you can choose to continue the training or leave the training.



## WARM UP

Regular exercise begins with warming up and ends with rest exercises. The warm-up should prepare the body for the subsequent load. Rest exercises should then prevent muscle injuries and cramps. Perform warm-up and rest exercises according to the table below.



### Toes on the toes

Lean forward. Keep your back and arms relaxed and lean forward to your toes. Hold in position for 15 seconds. Bend your knees slightly.



### Upper thighs

Lean against the wall with one hand. Put your other hand behind you and grab your foot. Pull him to your buttocks. Hold for 30 seconds and repeat with the other leg.



### Knees

Sit down and stretch your right leg. Place the sole of the left foot to the right inner thigh. Stretch your right arm to the tip of the outstretched leg. Hold for 15 seconds and release. Repeat also with the left foot.



### Inner thighs

Sit on the floor with your toes together. The knees are pointing outwards. Pull your feet to your groin. Push your knees down. Hold for 30-40 seconds if possible.

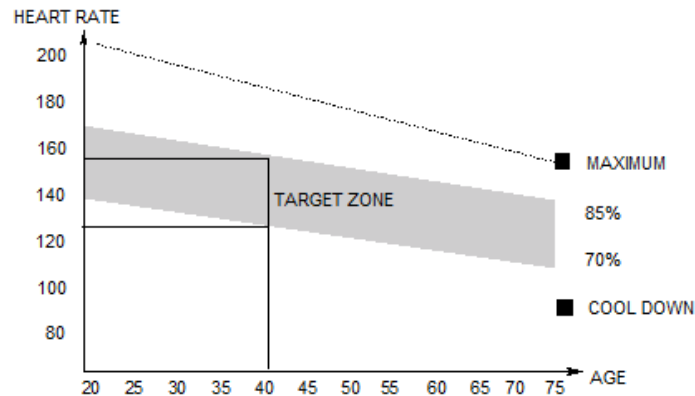


### Calf and Achilles tendons

Lean against the wall with one foot back and arms forward. Tighten your right foot and leave your left foot on the ground. Bend your left leg and push forward by pushing your hips towards the wall. Hold for 30 - 40 seconds. Keep your legs taut and repeat with the other leg.

### The Exercise Phase

This is the stage where you put the effort in. After regular use, the muscles in your legs will become more flexible. Work at your own pace but be sure to maintain a steady tempo throughout. The rate of work should be enough to raise your heartbeat into the target zone shown on the graph below.



### Cooling-Down Phase

This stage is to let your cardio-vascular system and muscles wind down. This is a repeat of the warm-up phase. First, reduce your tempo and continue at this slower pace for approximately 5 minutes before you get off your Exercise Bike. The stretching exercises should now be repeated, again remembering not to force or jerk your muscles into the stretch.

As you get fitter you may need to train longer and harder. It is advisable to train at least three times a week, and if possible, to space your workouts evenly throughout the week.

### MUSCLE TONING

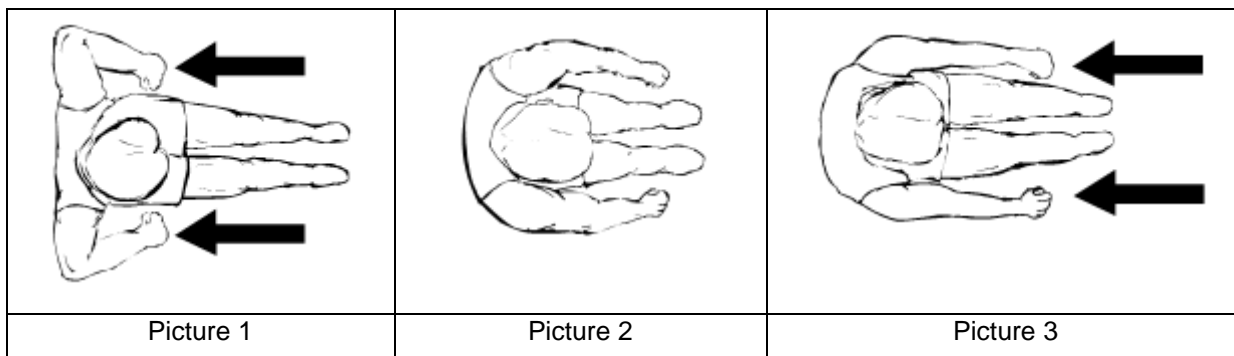
To tone muscle while exercising you will need to have the resistance set quite high. This will put more strain on our leg muscles and may mean you cannot train for as long as you would like. If you are also trying to improve your fitness you need to alter your training program. You should train as normal during the warm up and cool down phases, but towards the end of the exercise phase you should increase resistance making your legs work harder. You will have to reduce your speed to keep your heart rate in the target zone.

### WEIGHT LOSS

The important factor here is the amount of effort you put in. The harder and longer you work the more calories you will burn. This is effectively the same as if you were training to improve your fitness, the difference being the goal.

### Basic exercise

- 1) Sit on the saddle and fasten your feet to the pedals using the Velcro straps. Then take hold of the rowing bar.
- 2) Take up the starting position, leaning forward with your arms straight and knees bent as shown in (Pic 1).
- 3) Push yourself backwards, straightening your back and legs at the same time (Pic 2).
- 4) Continue this movement until you are leaning slightly backwards, during this stage you should bring your arms out of the side. (Pic 3). Then return to stage 2 and repeat. See attached.



### Training Time

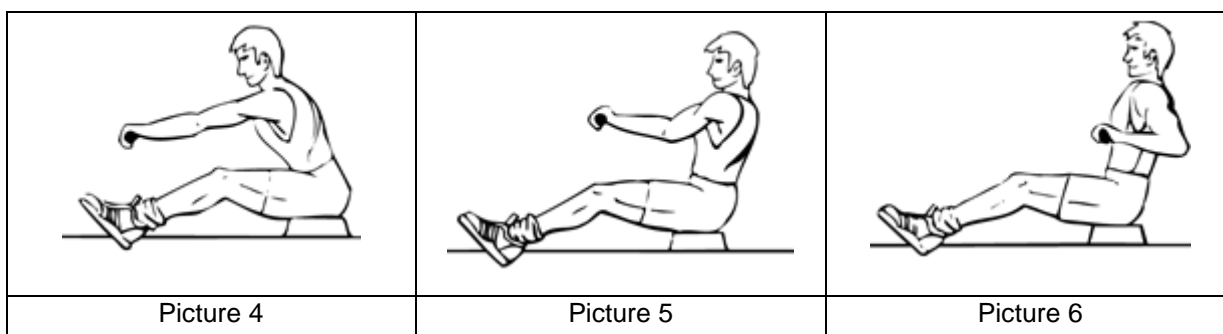
Rowing is a strenuous form of exercise, because of this it is best to start with a short, easy exercise programmed and build up to longer and harder workouts. Start rowing for about 5 minutes and as you progress, increase the length of your work out to match your improving level of fitness. You should eventually be capable of rowing for 15-20 minutes, but do not try to achieve this too quickly.

Try to train on alternate days, 3 times a week. This gives your body time to recover between workouts.

### Alternate Rowing Styles.

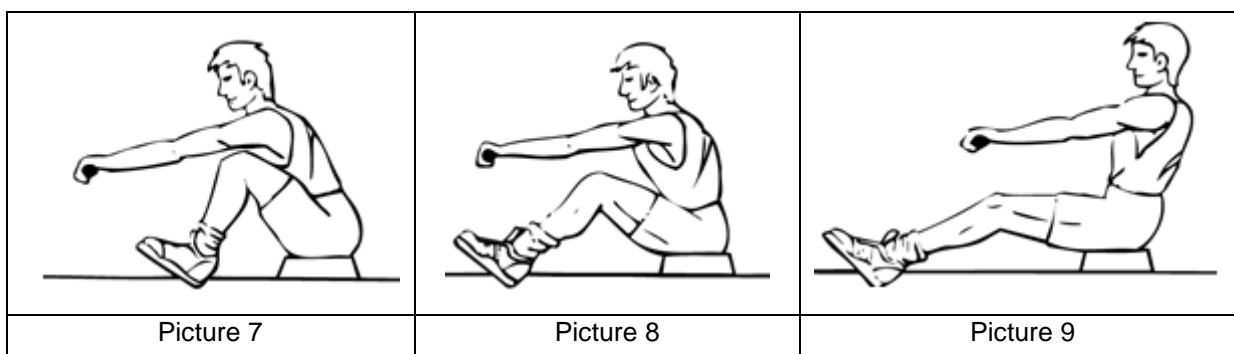
#### Arms Only Rowing

This exercise will tone muscles in your arms, shoulders, back and stomach. Sit as shown in Pic 4 with your legs straight, lean forward and grasp the handles. In a gradual and controlled manner lean back to just past the upright position continuing to pull the handles towards your chest. Return to the starting position and repeat. See attached.



#### Legs Only Rowing

This exercise will help tone muscles in your legs and back. With your back straight and arms out stretched, bend your legs until you are grasping the rowing arm handles in the starting position, Pic 7. Use your legs to push your body back whilst keeping your arms and back straight



## HOW TO EXERCISE

Phase of right rowing to strengthen specific muscles:

1. Stroke (Lower Muscle Exercise): Bend your knees and stretch your arms. Grasp the handle and keep your back straight (Pic 01).
2. Movement (center muscles): Reflect the legs and bend the arms (Pic 02).
3. End (upper body muscles): Take your back and legs tight. Hold your wrists straight and pull the handle (Pic 03).
4. Training the four-headed femoral muscle (Pic 04).
5. Muscle training on arms (Pic 05).
6. Practice of back and abdominal muscles (Pic 06)



Picture 01



Picture 02



Picture 03



Picture 04



Picture 05



Picture 06

## MAINTENANCE

- Cleaning: Use a soft cloth and gentle cleaner to clean the product.
- Do not use abrasives or solvents on plastic parts.
- Wipe the sweat after each use.
- Protect your computer from moisture to avoid damaging the electronics.
- Protect machine and computer from direct sunlight.
- Check all screws and correct tightening of the pedals at least once a week. Tighten if necessary.
- Store in a dry and clean place. Keep away from children.

## STORAGE

Keep the rowing machine in a clean and dry environment. Make sure the power switch is turned off and the rowing machine is not plugged into the power socket.

## IMPORTANT NOTICE

- This rowing machine comes with standard safety regulations and is only suitable for home use. Any other use is prohibited and may be dangerous to users. We are not responsible for any injury caused by improper and forbidden use of the machine.

- Consult your doctor before starting training on the rowing machine. Your doctor should evaluate whether you are physically fit to use the machine and how much effort you are able to undergo. Incorrect exercise or switching of the body can harm your health.
- Carefully read the following tips and exercises. If you experience pain, nausea, breathing, or other health problems during exercise, immediately stop the exercise. If the pain persists, contact your doctor immediately.
- This rowing machine is not suitable as a professional or medical purpose. It can also not be used for healing purposes.
- The heart rate monitor is not a medical device. It provides only approximate information about your average heart rate, and any suggested pulse rate is not medically binding. Accumulated data may not always be accurate regarding uncontrollable human and environmental factors.

## **ENVIRONMENT PROTECTION**

After the product lifespan expired or if the possible repairing is uneconomic, dispose it according to the local laws and environmentally friendly in the nearest scrapyard.

By proper disposal you will protect the environment and natural sources. Moreover, you can help protect human health. If you are not sure in correct disposing, ask local authorities to avoid law violation or sanctions.

Don't put the batteries among house waste but hand them in to the recycling place.

## **TERMS AND CONDITIONS OF WARRANTY, WARRANTY CLAIMS**

### **General Conditions of Warranty and Definition of Terms**

All Warranty Conditions stated here under determine Warranty Coverage and Warranty Claim Procedure. Conditions of Warranty and Warranty Claims are governed by Act No. 89/2012 Coll. Civil Code, and Act No. 634/1992 Coll., Consumer Protection, as amended, also in cases that are not specified by these Warranty rules.

The seller is SEVEN SPORT s.r.o. with its registered office in Strakonická street 1151/2c, Prague 150 00, Company Registration Number: 26847264, registered in the Trade Register at Regional Court in Prague, Section C, Insert No. 116888.

According to valid legal regulations it depends whether the Buyer is the End Customer or not.

“The Buyer who is the End Customer” or simply the “End Customer” is the legal entity that does not conclude and execute the Contract in order to run or promote his own trade or business activities.

“The Buyer who is not the End Customer” is a Businessman that buys Goods or uses services for the purpose of using the Goods or services for his own business activities. The Buyer conforms to the General Purchase Agreement and business conditions.

These Conditions of Warranty and Warranty Claims are an integral part of every Purchase Agreement made between the Seller and the Buyer. All Warranty Conditions are valid and binding, unless otherwise specified in the Purchase Agreement, in the Amendment to this Contract or in another written agreement.

### **Warranty Conditions**

#### **Warranty Period**

The Seller provides the Buyer a 24 months Warranty for Goods Quality, unless otherwise specified in the Certificate of Warranty, Invoice, Bill of Delivery or other documents related to the Goods. The legal warranty period provided to the Consumer is not affected.

By the Warranty for Goods Quality, the Seller guarantees that the delivered Goods shall be, for a certain period of time, suitable for regular or contracted use, and that the Goods shall maintain its regular or contracted features.

#### **Batteries**

6-month battery warranty – we guarantee that battery's nominal capacity does not fall below 70% of its total capacity within 6 months of the product's sale.

**The Warranty does not cover defects resulting from (if applicable):**

- User's fault, i.e. product damage caused by unqualified repair work, improper assembly, insufficient insertion of seat post into frame, insufficient tightening of pedals and cranks
- Improper maintenance
- Mechanical damages
- Regular use (e.g. wearing out of rubber and plastic parts, moving mechanisms, joints, wear of brake pads/blocks, chain, tires, cassette/multi wheel etc.)
- Unavoidable event, natural disaster
- Adjustments made by unqualified person
- Improper maintenance, improper placement, damages caused by low or high temperature, water, inappropriate pressure, shocks, intentional changes in design or construction etc.

**Warranty Claim Procedure**

The Buyer is obliged to check the Goods delivered by the Seller immediately after taking the responsibility for the Goods and its damages, i.e. immediately after its delivery. The Buyer must check the Goods so that he discovers all the defects that can be discovered by such check.

When making a Warranty Claim the Buyer is obliged, on request of the Seller, to prove the purchase and validity of the claim by the Invoice or Bill of Delivery that includes the product's serial number, or eventually by the documents without the serial number. If the Buyer does not prove the validity of the Warranty Claim by these documents, the Seller has the right to reject the Warranty Claim.

If the Buyer gives notice of a defect that is not covered by the Warranty (e.g. in the case that the Warranty Conditions were not fulfilled or in the case of reporting the defect by mistake etc.), the Seller is eligible to require a compensation for all the costs arising from the repair. The cost shall be calculated according to the valid price list of services and transport costs.

If the Seller finds out (by testing) that the product is not damaged, the Warranty Claim is not accepted. The Seller reserves the right to claim a compensation for costs arising from the false Warranty Claim.

In case the Buyer makes a claim about the Goods that is legally covered by the Warranty provided by the Seller, the Seller shall fix the reported defects by means of repair or by the exchange of the damaged part or product for a new one. Based on the agreement of the Buyer, the Seller has the right to exchange the defected Goods for a fully compatible Goods of the same or better technical characteristics. The Seller is entitled to choose the form of the Warranty Claim Procedures described in this paragraph.

The Seller shall settle the Warranty Claim within 30 days after the delivery of the defective Goods, unless a longer period has been agreed upon. The day when the repaired or exchanged Goods is handed over to the Buyer is considered to be the day of the Warranty Claim settlement. When the Seller is not able to settle the Warranty Claim within the agreed period due to the specific nature of the Goods defect, he and the Buyer shall make an agreement about an alternative solution. In case such agreement is not made, the Seller is obliged to provide the Buyer with a financial compensation in the form of a refund.

**CZ**  
**SEVEN SPORT s.r.o.**

Registered Office: Strakonická 1151/2c, Praha 5, 150 00, ČR  
Headquarters: Dělnická 957, Vítkov, 749 01  
Warranty & Service: Čermenská 486, Vítkov 749 01

CRN: 26847264  
VAT ID: CZ26847264  
Phone: +420 556 300 970  
E-mail: eshop@insportline.cz  
reklamace@insportline.cz  
servis@insportline.cz  
Web: www.inSPORTline.cz

**SK**  
**inSPORTline s.r.o.**

Headquarters, warranty & service center: Električná 6471,  
Trenčín 911 01, SK

CRN: 36311723  
VAT ID: SK2020177082  
Phone: +421(0)326 526 701  
E-mail: objednavky@insportline.sk  
reklamacie@insportline.sk  
servis@insportline.sk  
Web: www.inSPORTline.sk

**About shipping**

