



USER MANUAL – EN

IN 27705 Foot massage bath inSPORTline Klarispa



CONTENTS

- SAFETY INSTRUCTIONS..... 3
- SPECIFICATIONS..... 4
- PRODUCT DESCRIPTION 4
- USE 4
- CONTROLS..... 5
 - Power switch on device 5
 - Controller..... 5
- CLEANING AND STORAGE 6
- ENVIRONMENT PROTECTION 6
- TERMS AND CONDITIONS OF WARRANTY, WARRANTY CLAIMS..... 6

SevenSport s.r.o. reserves the right to make any changes and improvements to its product without prior notice. Visit our website www.insportline.eu where you will find the latest version of the manual.

SAFETY INSTRUCTIONS

- Read the manual carefully and keep it for future references.
- Never sink the device into the water during maintenance and cleaning.
- Always sit when using the device. Never stand on the device.
- Do not try to unplug the device from socket when you have wet hands. Do not operate the device with wet hands.
- Do not use the device if you have leg or feet injury or you are recovery from surgery.
- Do not use in sessions longer than 30 minutes. We recommend using the product at maximum twice a day (morning and evening).
- Do not use when you are sleepy, tired or falling asleep.
- Always unplug the device after use. Never leave the device unattended if it is connected.
- Never use the device near a heat source.
- Children under the age of 18, people with physical or mental disabilities and older people cannot use the appliance without adult supervision.
- Never use the device if the power cord or plug is damaged.
- Never use damaged equipment.
- People suffering from skin disease, injuries or recovering after surgery may only use the appliance after consulting a physician.
- Use only original spare parts for repair.
- Only authorized personnel may carry out repairs.
- Do not use in rooms with high humidity such as saunas or bathrooms.
- If you do not use your device for a long time, check it before using it for the first time.
- Excessive use may cause overheating and reduce the lifespan of the device.
- The device is not a substitute for health care.
- For home use only.
- To avoid skin irritation, do not use the appliance for more than 60 minutes.
- Consult a physician before use.
- Massage should never be uncomfortable if you feel pain or massage is not comfortable stop it immediately.
- Never move the machine by pulling on the power cord.
- Turn the power switch to the off position before disconnecting from the power source.
- Keep the power cord away from heat and moisture.
- Do not use 30 minutes before and after a meal.
- Store the device in a dry and cool place. Do not leave water inside if the room temperature is below 0 ° C
- Pour water before plugging in. You can use water up to + 35 ° C.
- Controller battery: 1x CR2025 button battery

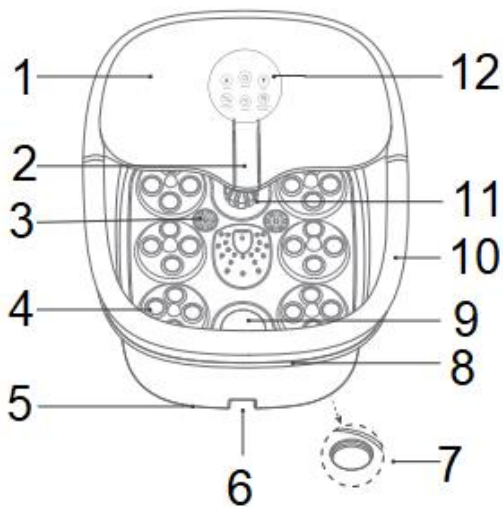
WARNING: Never turn on or operate the device if there is no water inside.

WARNING: The device is for home use only and is not intended for medical use. Children can use the device under adult supervision. This device is not a toy.

SPECIFICATIONS

Rated voltage	~ 230 V
Frequency	50 Hz
Rated power	500 W
Volume	7 l

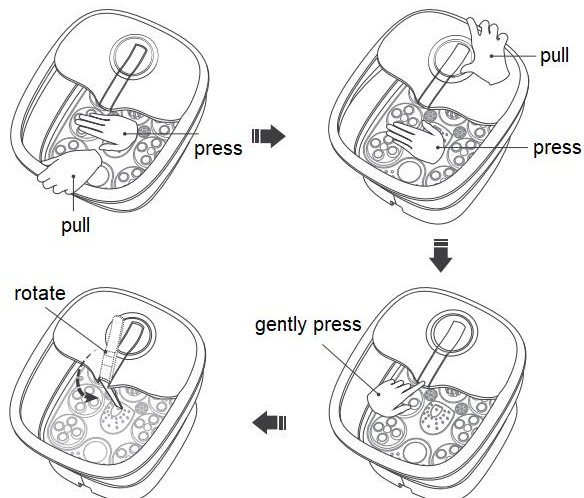
PRODUCT DESCRIPTION



- 1. Panel
- 2. Support foot
- 3. Bubble massage
- 4. Massage rollers
- 5. Base
- 6. Switch
- 7. Anti-slip feet
- 8. Lid frame
- 9. Display
- 10. Handle
- 11. Heating
- 12. Control panel

USE

Remove the lid and slide out the support leg.



Add water (7l) at a temperature of ± 35 °C. Plug into the power supply. Switch on, sound signal will sound and then switch to standby mode.

CONTROLS

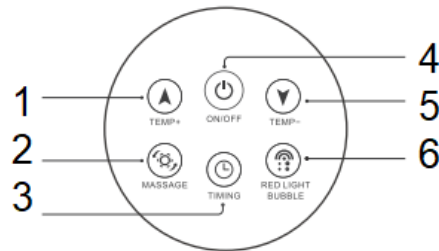
Power switch on device

Press the button to switch on the device and start heating, it will start to the default value of 41 °C.

Press repeatedly to increase the heating temperature to 43 °C - 45 °C - off.

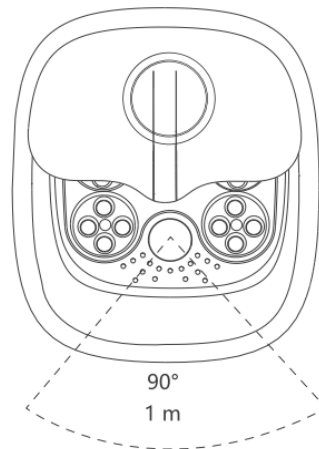
As soon as you switch on the bath, the current temperature will be displayed. If the water temperature exceeds 52 °C, the bath is switched off and an acoustic signal sound.

Controller



1. Temperature +	4. Power switch
2. Massage	5. Temperature -
3. Timer	6. Red light / bubbles

The range of the controller is 1 m at 90° from the receiver.



Power switch (on / off)

Press the switch to switch on or off. The display will show the current water temperature, if the bath is turned off, the display will show OF.

If the water temperature exceeds 52 °C, the bath is switched off and an acoustic signal sound.

Temperature setting (temp + / -)

The default temperature value is 41 °C. Use the + and – buttons to adjust the temperature to the desired value. The temperature is adjusted in 1 °C increments. The maximum temperature is 48 °C, the minimum temperature is 35 °C.

The heating will turn on or off depending on the water temperature and the set temperature. Switching off the heating is accompanied by an acoustic signal.

If the difference between the water temperature and the set temperature is greater than 2 °C, the heating is switched on.

Setting the timer (timing)

The default value is 30 min. The maximum value is 60 min, the minimum value is 10 min.

Red light / bubbles (red light / bubble)

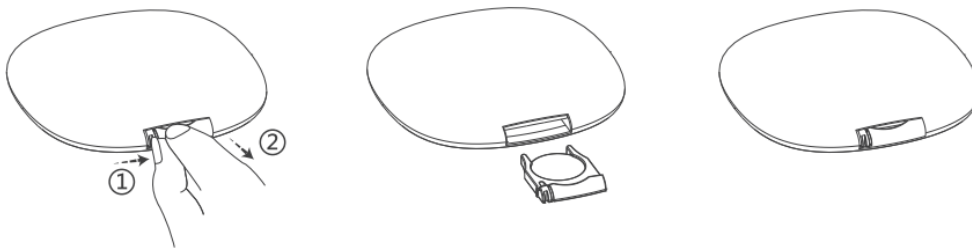
Press the button to switch between red light and bubbles.

Setting the type of massage (massage)

By pressing the button, you can select one of three types of massage, cycle by pressing the button.

Battery replacement

Pull out the battery holder and replace the battery. Place the battery with the positive pole (+) facing down.



CLEANING AND STORAGE

Before cleaning, make sure that the device is disconnected from the power supply.

Pour the water out of the bath. Clean the surface with a soft cloth. Do not clean electrical components with a damp cloth, keep them away from water. Do not use aggressive cleaning agents and solvents for cleaning.

Pour out the water from the bath for storage. Dry the bath with a soft cloth or leave to dry in a safe, dry and well-ventilated area.

Once the device is dry, assemble all components and store in a dry, shady and well-ventilated place. For better safety, you can store the product in its original packaging.

ENVIRONMENT PROTECTION

After the product lifespan expired or if the possible repairing is uneconomic, dispose it according to the local laws and environmentally friendly in the nearest scrapyard.

By proper disposal you will protect the environment and natural sources. Moreover, you can help protect human health. If you are not sure in correct disposing, ask local authorities to avoid law violation or sanctions.

Don't put the batteries among house waste but hand them in to the recycling place.

TERMS AND CONDITIONS OF WARRANTY, WARRANTY CLAIMS

General Conditions of Warranty and Definition of Terms

All Warranty Conditions stated here under determine Warranty Coverage and Warranty Claim Procedure. Conditions of Warranty and Warranty Claims are governed by Act No. 89/2012 Coll. Civil Code, and Act No. 634/1992 Coll., Consumer Protection, as amended, also in cases that are not specified by these Warranty rules.

The seller is SEVEN SPORT s.r.o. with its registered office in Strakonická street 1151/2c, Prague 150 00, Company Registration Number: 26847264, registered in the Trade Register at Regional Court in Prague, Section C, Insert No. 116888.

According to valid legal regulations it depends whether the Buyer is the End Customer or not.

“The Buyer who is the End Customer” or simply the “End Customer” is the legal entity that does not conclude and execute the Contract in order to run or promote his own trade or business activities.

“The Buyer who is not the End Customer” is a Businessman that buys Goods or uses services for the purpose of using the Goods or services for his own business activities. The Buyer conforms to the General Purchase Agreement and business conditions.

These Conditions of Warranty and Warranty Claims are an integral part of every Purchase Agreement made between the Seller and the Buyer. All Warranty Conditions are valid and binding, unless otherwise specified in the Purchase Agreement, in the Amendment to this Contract or in another written agreement.

Warranty Conditions

Warranty Period

The Seller provides the Buyer a 24 months Warranty for Goods Quality, unless otherwise specified in the Certificate of Warranty, Invoice, Bill of Delivery or other documents related to the Goods. The legal warranty period provided to the Consumer is not affected.

By the Warranty for Goods Quality, the Seller guarantees that the delivered Goods shall be, for a certain period of time, suitable for regular or contracted use, and that the Goods shall maintain its regular or contracted features.

Batteries

6-month battery warranty – we guarantee that battery's nominal capacity does not fall below 70% of its total capacity within 6 months of the product's sale.

The Warranty does not cover defects resulting from (if applicable):

- User's fault, i.e. product damage caused by unqualified repair work, improper assembly, insufficient insertion of seat post into frame, insufficient tightening of pedals and cranks
- Improper maintenance
- Mechanical damages
- Regular use (e.g. wearing out of rubber and plastic parts, moving mechanisms, joints, wear of brake pads/blocks, chain, tires, cassette/multi wheel etc.)
- Unavoidable event, natural disaster
- Adjustments made by unqualified person
- Improper maintenance, improper placement, damages caused by low or high temperature, water, inappropriate pressure, shocks, intentional changes in design or construction etc.

Warranty Claim Procedure

The Buyer is obliged to check the Goods delivered by the Seller immediately after taking the responsibility for the Goods and its damages, i.e. immediately after its delivery. The Buyer must check the Goods so that he discovers all the defects that can be discovered by such check.

When making a Warranty Claim the Buyer is obliged, on request of the Seller, to prove the purchase and validity of the claim by the Invoice or Bill of Delivery that includes the product's serial number, or eventually by the documents without the serial number. If the Buyer does not prove the validity of the Warranty Claim by these documents, the Seller has the right to reject the Warranty Claim.

If the Buyer gives notice of a defect that is not covered by the Warranty (e.g. in the case that the Warranty Conditions were not fulfilled or in the case of reporting the defect by mistake etc.), the Seller is eligible to require a compensation for all the costs arising from the repair. The cost shall be calculated according to the valid price list of services and transport costs.

If the Seller finds out (by testing) that the product is not damaged, the Warranty Claim is not accepted. The Seller reserves the right to claim a compensation for costs arising from the false Warranty Claim.

In case the Buyer makes a claim about the Goods that is legally covered by the Warranty provided by the Seller, the Seller shall fix the reported defects by means of repair or by the exchange of the damaged part or product for a new one. Based on the agreement of the Buyer, the Seller has the right

to exchange the defected Goods for a fully compatible Goods of the same or better technical characteristics. The Seller is entitled to choose the form of the Warranty Claim Procedures described in this paragraph.

The Seller shall settle the Warranty Claim within 30 days after the delivery of the defective Goods, unless a longer period has been agreed upon. The day when the repaired or exchanged Goods is handed over to the Buyer is considered to be the day of the Warranty Claim settlement. When the Seller is not able to settle the Warranty Claim within the agreed period due to the specific nature of the Goods defect, he and the Buyer shall make an agreement about an alternative solution. In case such agreement is not made, the Seller is obliged to provide the Buyer with a financial compensation in the form of a refund.

CZ
SEVEN SPORT s.r.o.

Registered Office: Strakonická 1151/2c, Praha 5, 150 00, ČR
Headquarters: Dělnická 957, Vítkov, 749 01
Warranty & Service: Čermenská 486, Vítkov 749 01

CRN: 26847264
VAT ID: CZ26847264
Phone: +420 556 300 970
E-mail: eshop@insportline.cz
reklamace@insportline.cz
servis@insportline.cz

Web: www.inSPORTline.cz

SK
inSPORTline s.r.o.

Headquarters, warranty & service center: Električná 6471,
Trenčín 911 01, SK

CRN: 36311723
VAT ID: SK2020177082
Phone: +421(0)326 526 701
E-mail: objednavky@insportline.sk
reklamacie@insportline.sk
servis@insportline.sk

Web: www.inSPORTline.sk

About shipping

