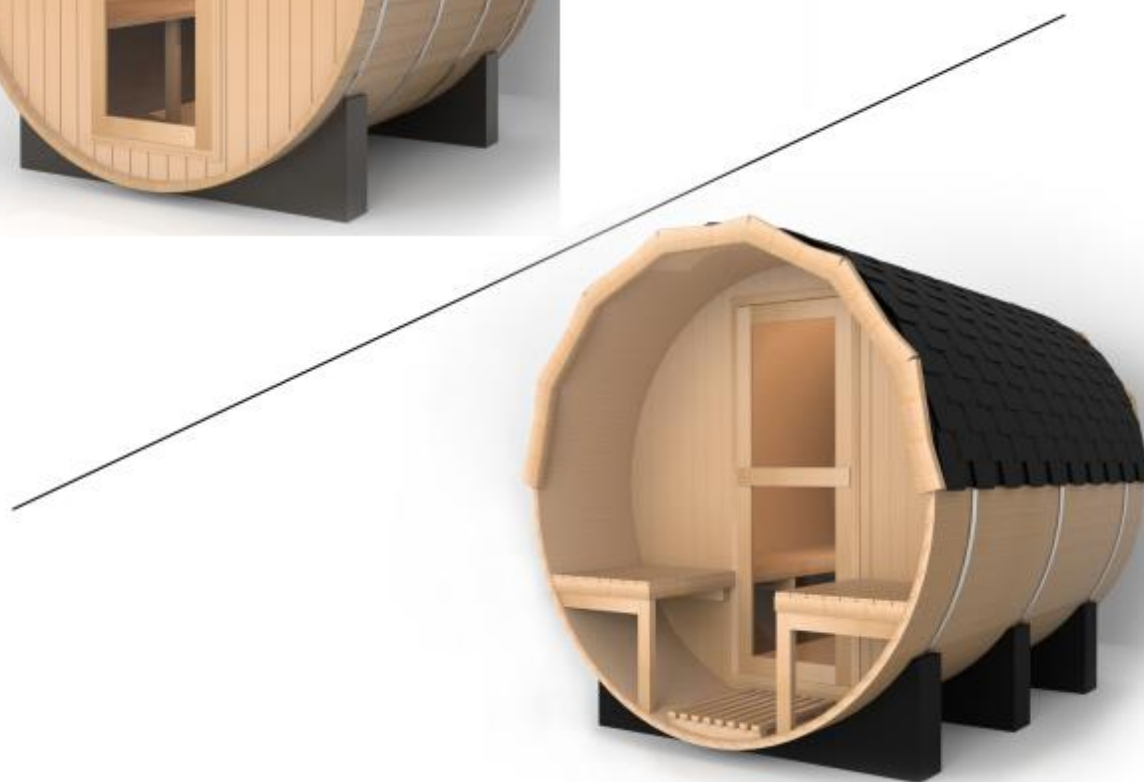




USER MANUAL – EN

IN 27405 Barrel sauna inSPORTline Viduor 400



The images are illustrative, the final appearance may vary depending on the model purchased.

CONTENTS

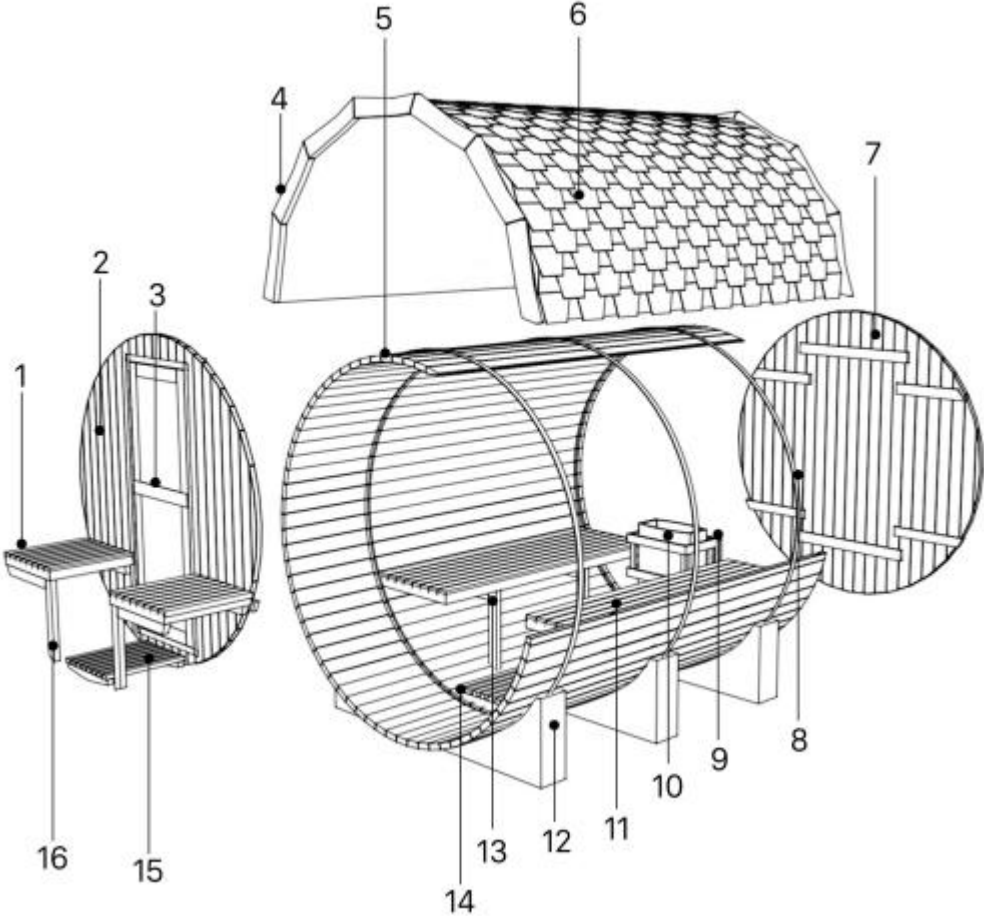
SAFETY INSTRUCTIONS..... 3
PRODUCT DESCRIPTION 4
ASSEMBLY 4
STOVE..... 12
MAINTENANCE 15
ENVIRONMENT PROTECTION 15
TERMS AND CONDITIONS OF WARRANTY, WARRANTY CLAIMS..... 15

SevenSport s.r.o. reserves the right to make any changes and improvements to its product without prior notice. Visit our website www.insportline.eu where you will find the latest version of the manual.

SAFETY INSTRUCTIONS

- Please read the manual before use and assembly and keep it for future reference.
- At least 2 people are needed for assembly.
- If the temperature is too high, immediately turn off the sauna and leave.
- Do not use during pregnancy or if you have fevers, bleeding, or inflammation.
- Do not use if you suffer from cardiovascular disease, high blood pressure, neurotic disease, sensitivity to heat, menstruation, joint pain, arthritis or have a medical implant.
- Children and the elderly, or persons with limited motor or mental abilities may only use the sauna under the supervision of an adult or guardian.
- If you feel nausea or pain, stop immediately and contact a doctor.
- Do not install locks on the sauna.
- Do not wear jewelry when the sauna is running.
- Do not repair or modify the sauna yourself. Any modifications must be carried out by the service.
- When the device is not in use, it must be secured against misuse by children or other unauthorized persons.
- Never leave the sauna running and plugged in unattended.
- The sauna must be placed on a flat and solid surface.
- Do not consume alcohol, medications, drugs or other substances that affect judgment before or during use.
- Consult a doctor before use.
- Keep away from open fire, flames, and heat.
- The sauna must be connected to its own and separate socket or in its own electrical circuit.
- The sauna does not constitute a medical or therapeutic device or a substitute for medical care.
- Always start with a lower temperature. Give your body time to adapt to higher temperatures. The normal operating temperature is 60 °C - 80 °C in the space between the bench and the head.
- Do not enter the sauna wearing clothes, jewelry, or a telephone (or another electronic device).
- The average sauna operation time is 5-15 minutes.
- If condensed water appears on the sauna floor, you are overloading the sauna.
- Power / voltage: 220V / 6,0 KW

PRODUCT DESCRIPTION










No.	Name	Qty.	No.	Name	Qty.
1	Outdoor bench	2	9	Heater lining	1
2	Front wall	3	10	Heater	1
3	Handle	/	11	Indoor bench	2
4	Decorative panels	/	12	Base	2-3
5	Slates	/	13	Bench support	0-4
6	Roof covering	1	14	Interior floor	1
7	Back wall	3	15	Outdoor floor (for selected models)	1
8	Steel hoop	2-3	16	Outdoor bench support (for selected models)	2

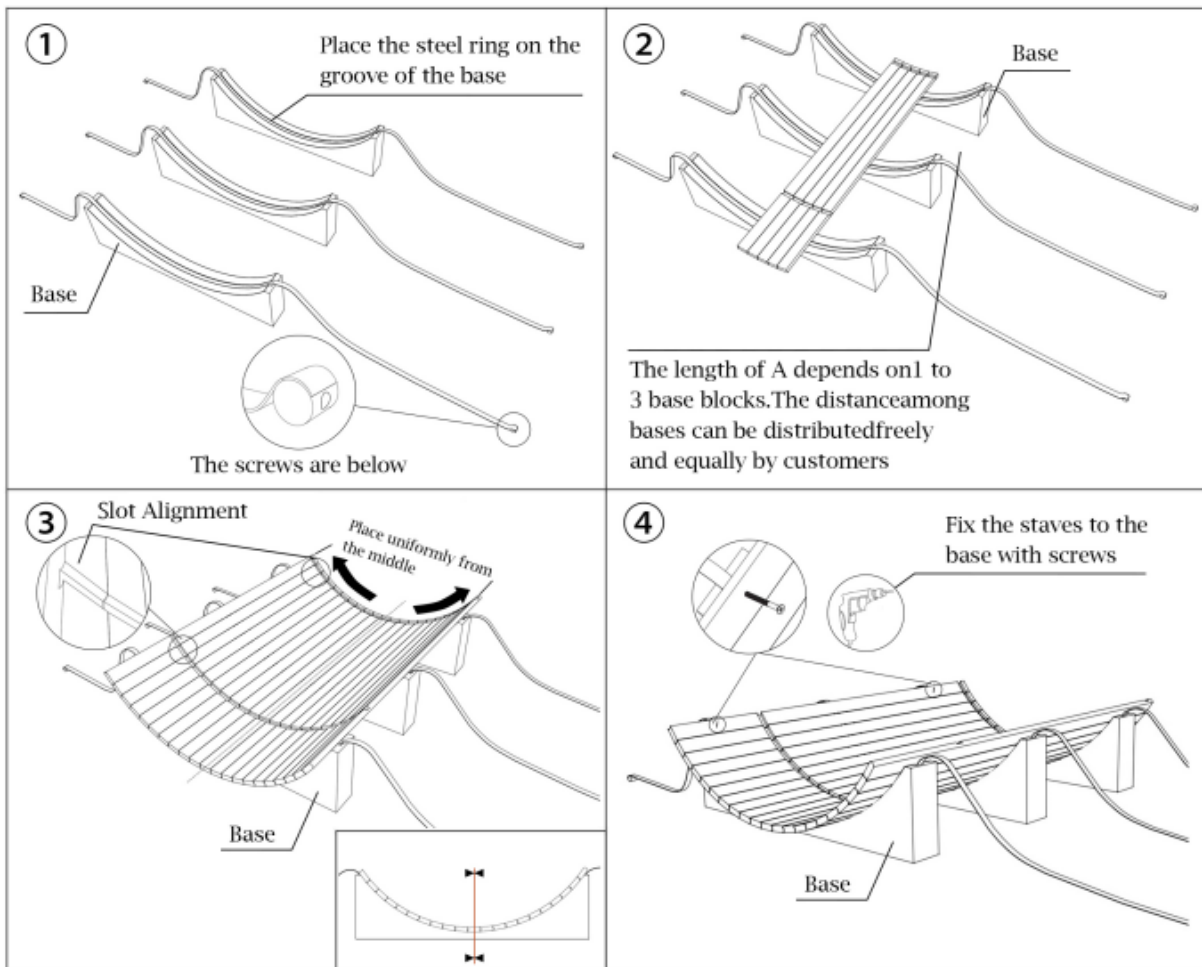
ASSEMBLY

- At least two people are needed for assembly.
- Install only on a flat and solid surface.
- All screws must be tightened so that the screw heads do not protrude from the surface.
- The electrical connection of the components should be performed by an electrician.

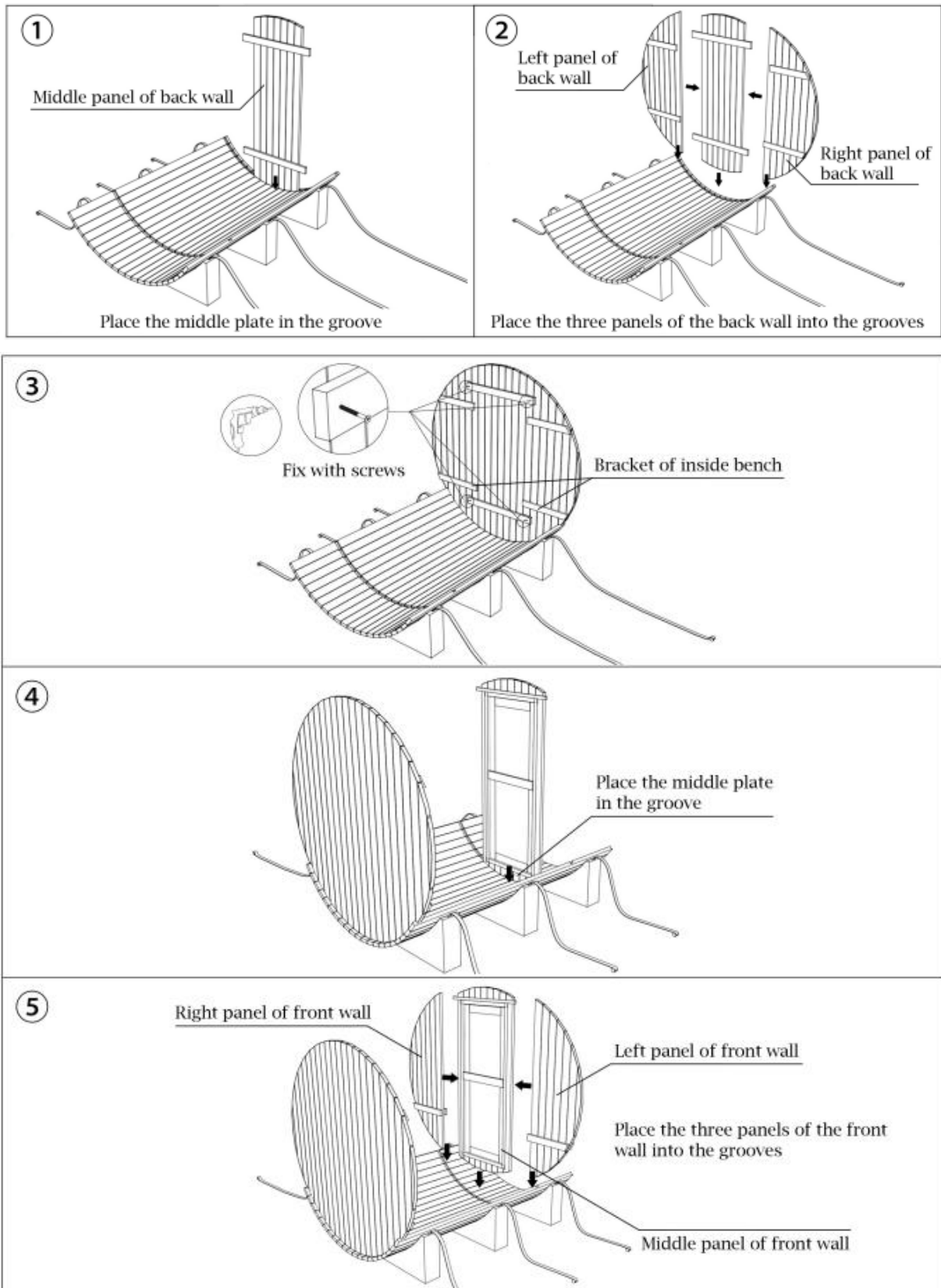
For assembly you will need the following (not included):

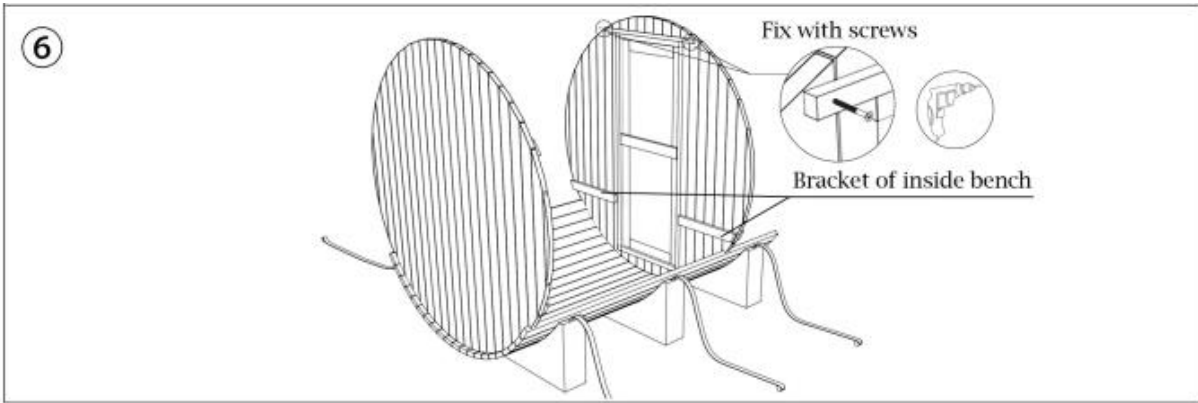
			
Drill	Adjustable wrench	Meter	Nail gun
			
Knife	Ladder	Spirit level	

BASE ASSEMBLY

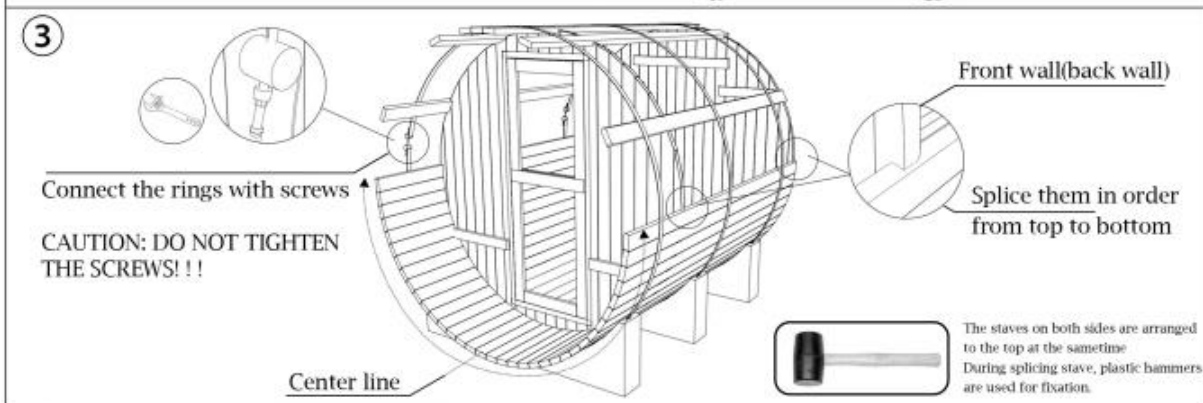
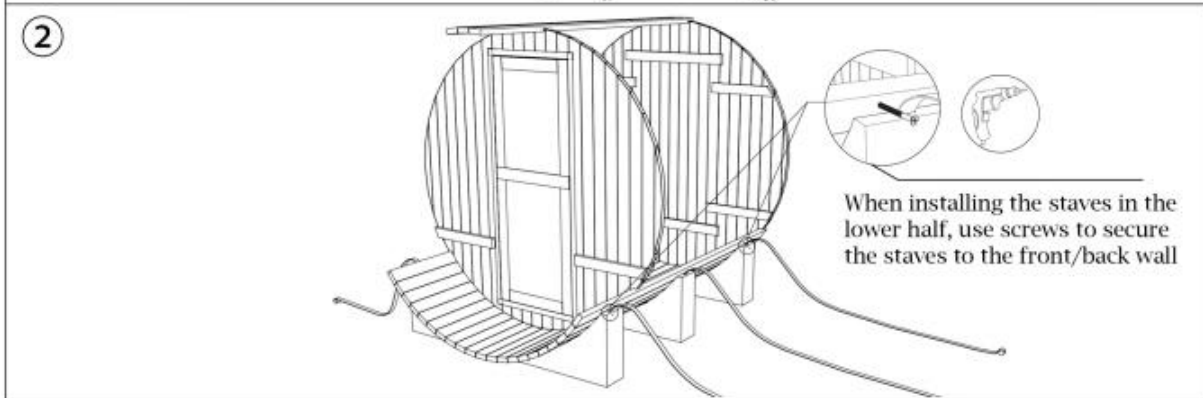
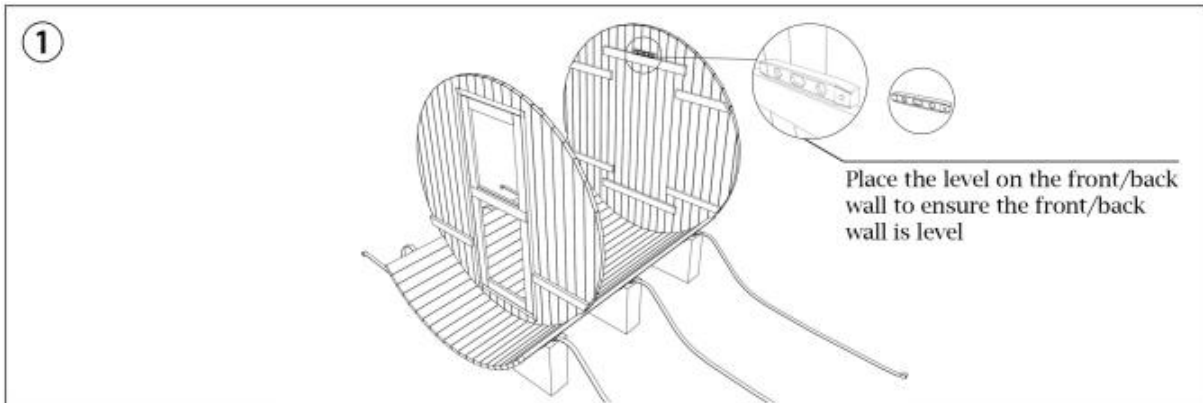


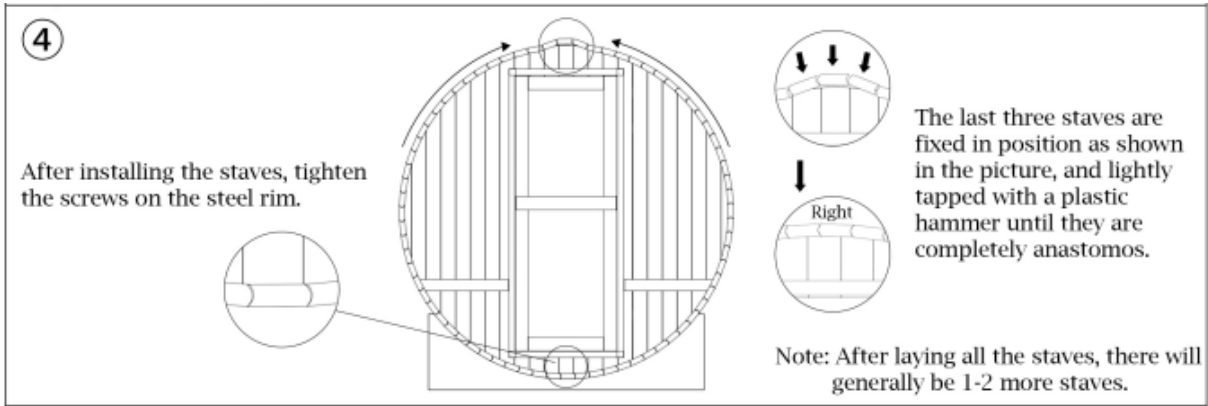
REAR WALL ASSEMBLY



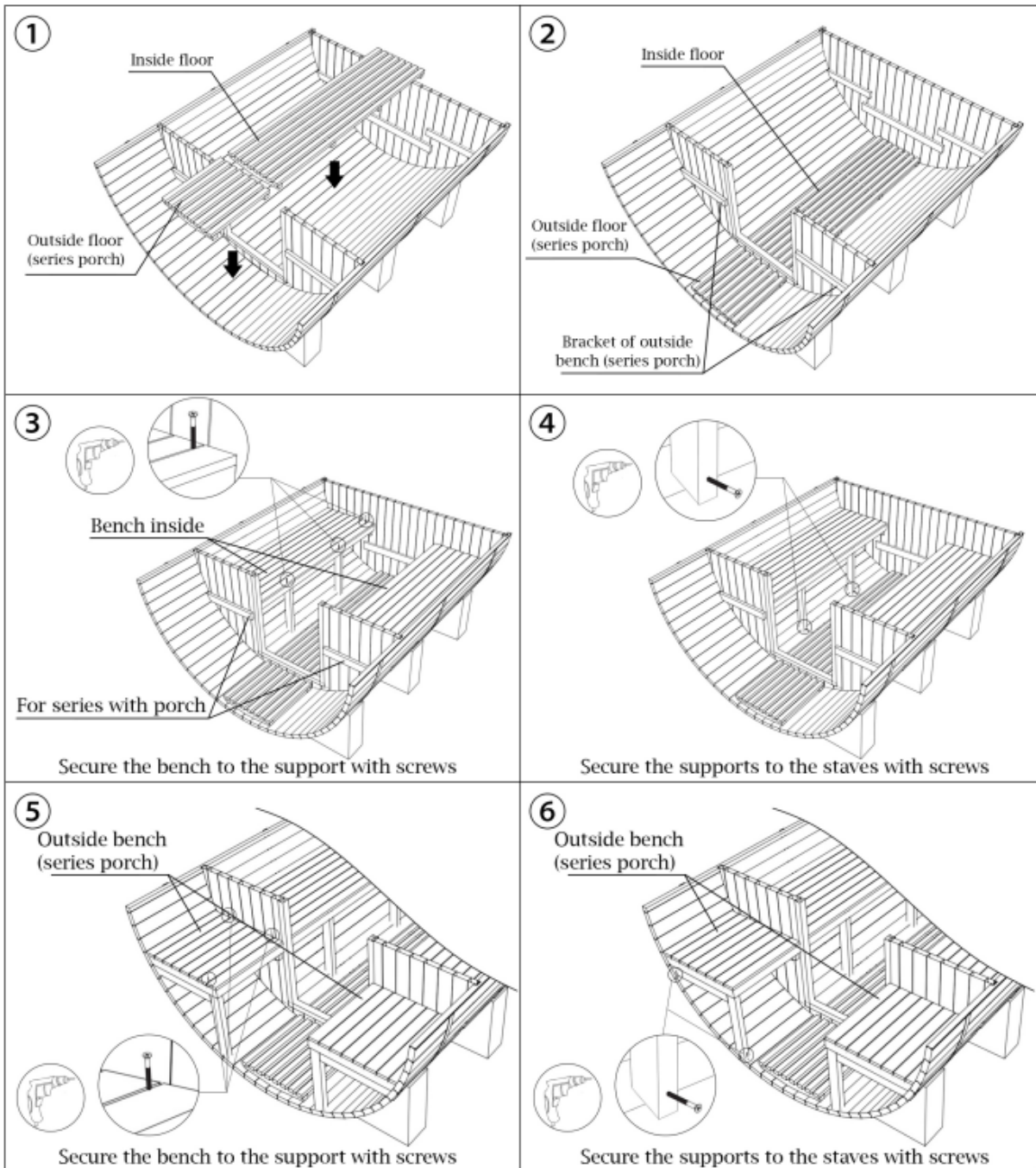


ATTACHMENT OF SLATS

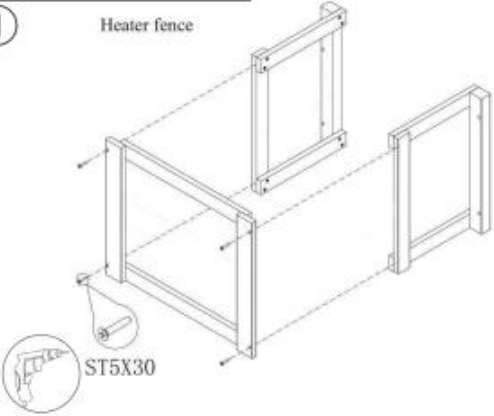

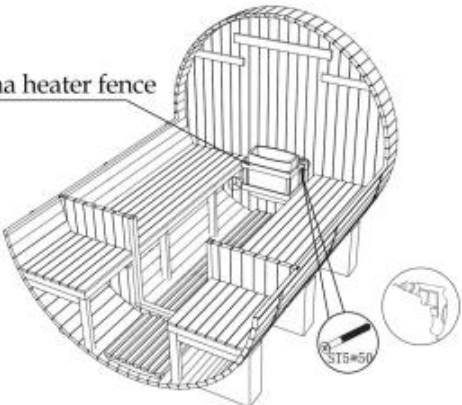

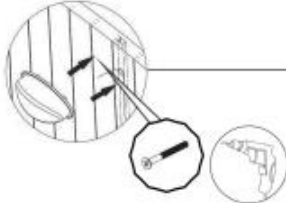





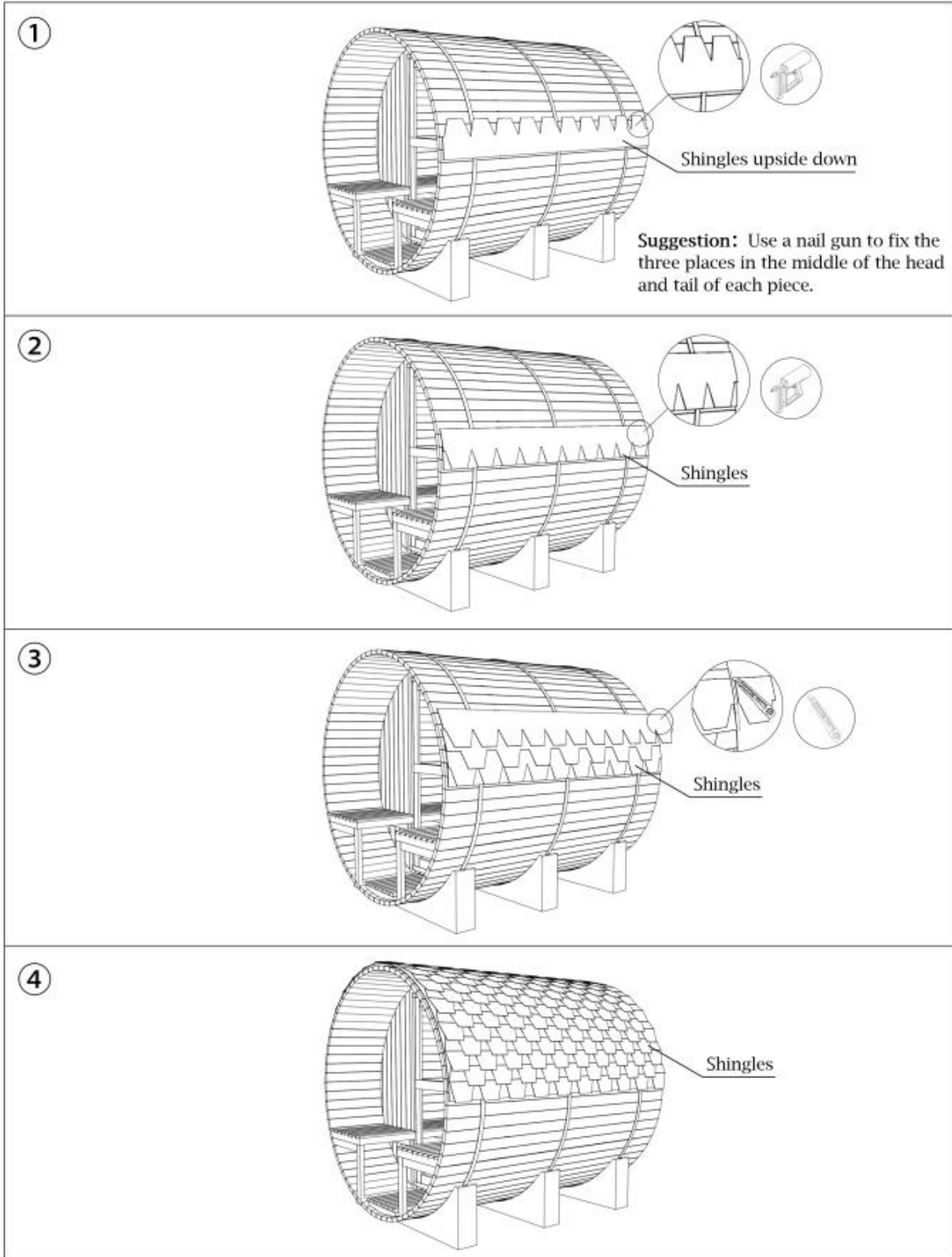
ATTACHMENT OF ACCESSORIES



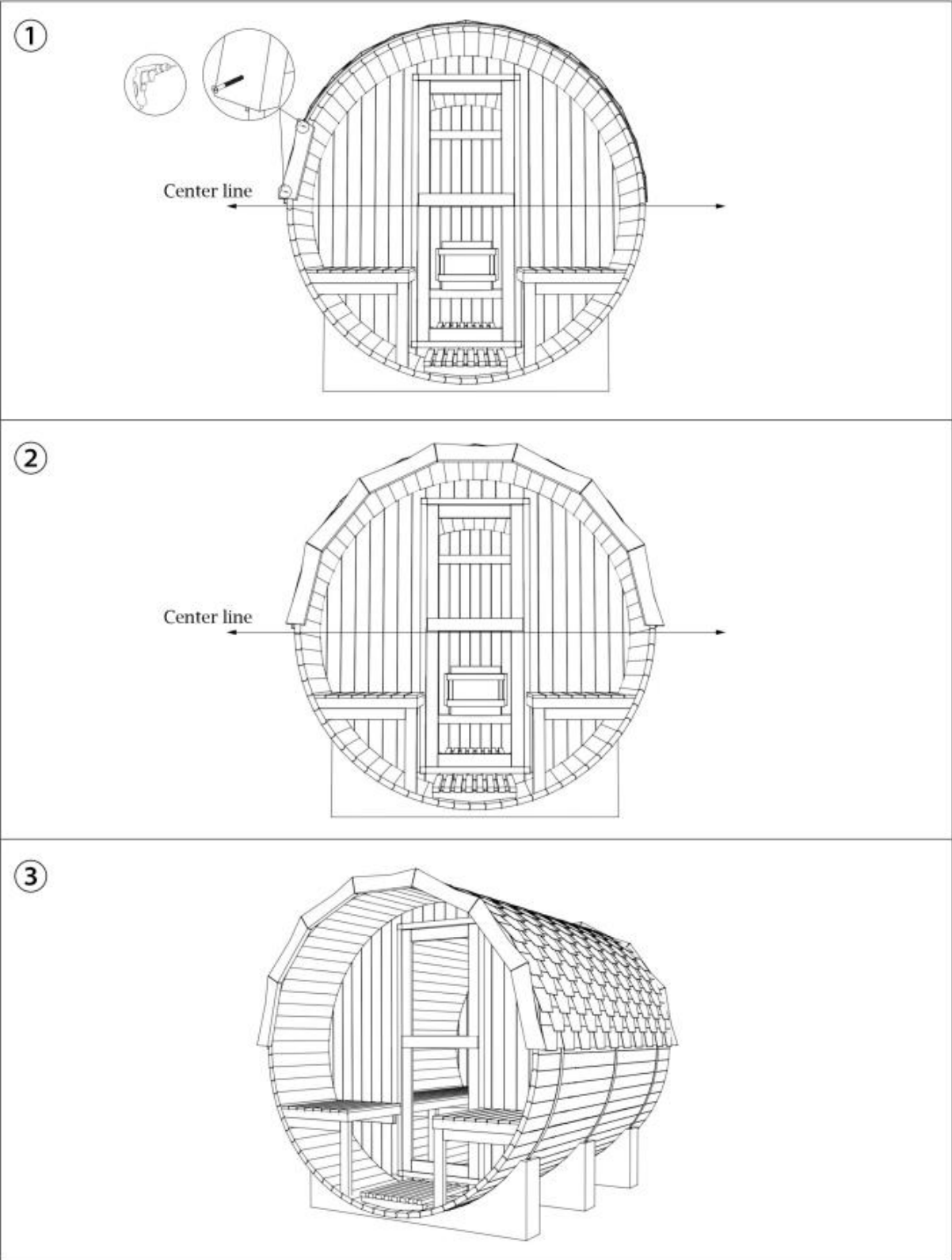
LIGHT AND HEATER INSTALLATION

<p>Sauna heater fence</p> <p>① Heater fence</p>  <p>ST5X30</p>	<p>② Sauna heater</p>  <p>! Please refer to heater instructions for installation the heater.</p>
<p>③ Sauna heater fence</p>  <p>ST5X50</p> <p>! Please refer to heater instructions for installation the heater fence.</p>	
<p>Sauna lamp assembly(Lamp is optional)</p>	
<p>④</p>  <p>4-1:Accessories of lamp</p> <p>4-2:Lamp assembly</p> 	<p>Sauna Light</p>  <p>Note: Make hole in the wall by yourself,then wire out from the hole</p>

FIXING OF SHINGLE ROOF



FIXING OF DECORATIVE PANELS



STOVE

Any installation and repair may only be performed by a certified person. There is a risk of electric shock.

Do not use continuously for more than 30 min.

There is a risk of burns, keep a safety distance of at least 30 cm from the stove.

Use only high-quality sauna stones (10-15 kg).

SPECIFICATIONS

Power KW	Room size		Minimum distance from the heater				Cables		
	Volume m ³	Height	Odstup od boční a zadní stěny	Distance from railing	Distance from ceiling	Distance from floor	380V 3ph 415V 3ph	220V 1ph 220V 1ph	
	Min.	Max.	Min.	Min. cm	Min. cm	Min. cm	mm ²	mm ²	
4,5	3	6	190	8	8	110	18	5x1,5	6x6
6,0	5	9	190	10	15	110	18	5x1,5	3x10
Power KW			SEPC 63 1500W		SEPC 64 2000W				
4,5			1,2,3		-				
6,0			-		1,2,3				

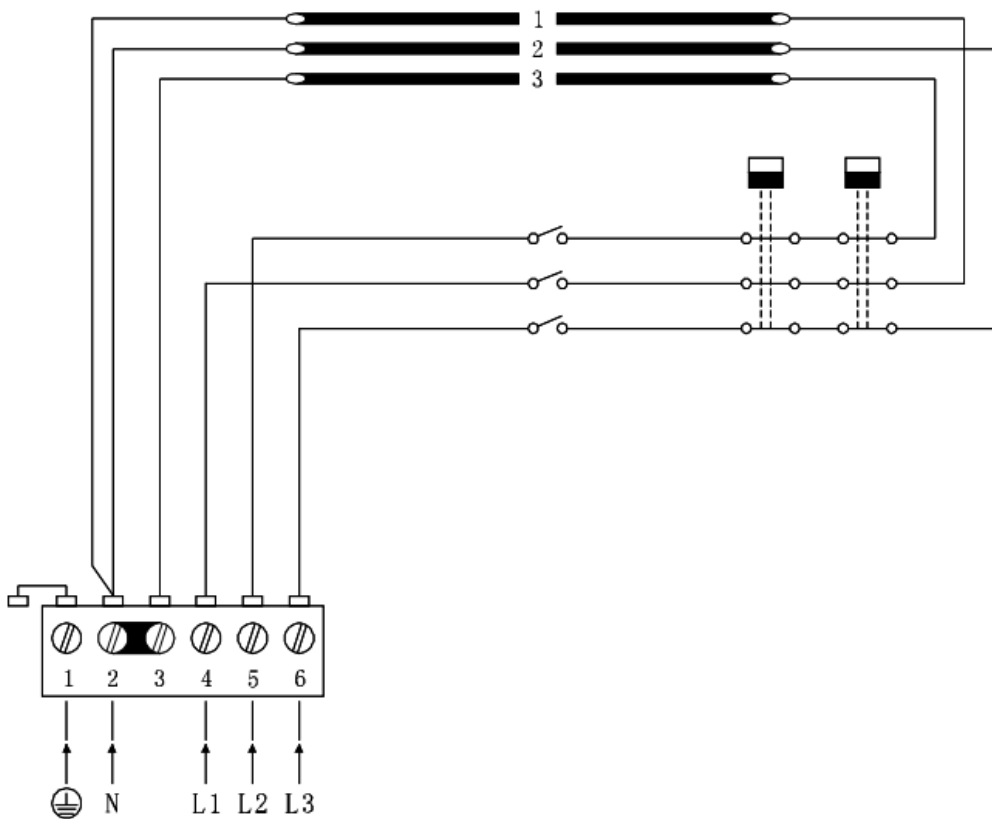
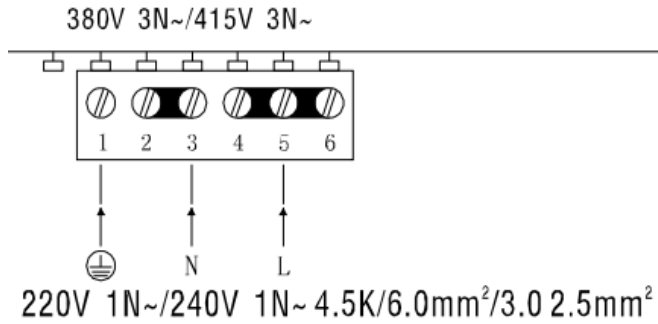


图7



- (1) L L1 L2 L3—Connection ports of live wire
- (2) N-----Connection port of neuter wire
- (3) ⊕-----Connection port of grounding wire

ATTACHEMENT

The distance between the screw head and the wall must be at least 3 mm.

INSTALLATION DISTANCE FROM OTHER WALLS

KW	A (mm)	B (mm)	C (mm)
4,5	80	280	100
6,0	100	280	150

Figure 1A

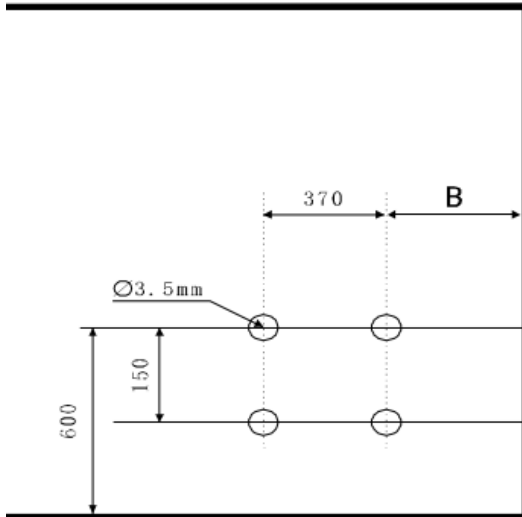


Figure 1B

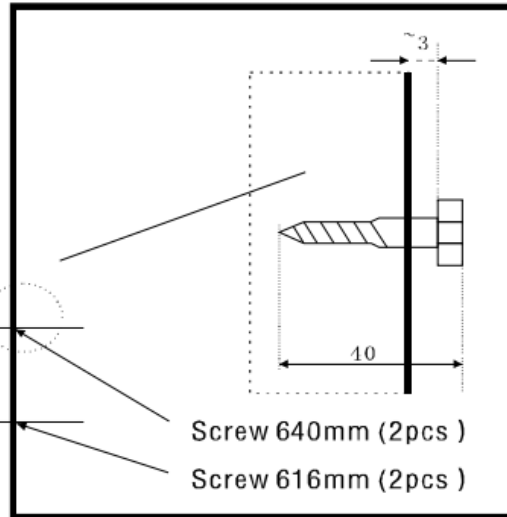


Figure 1C

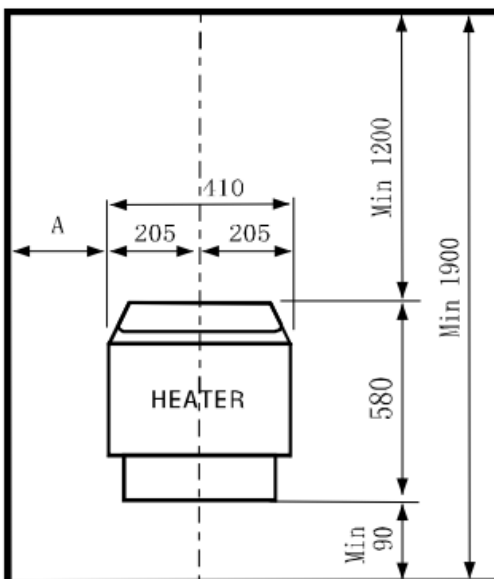


Figure 1D

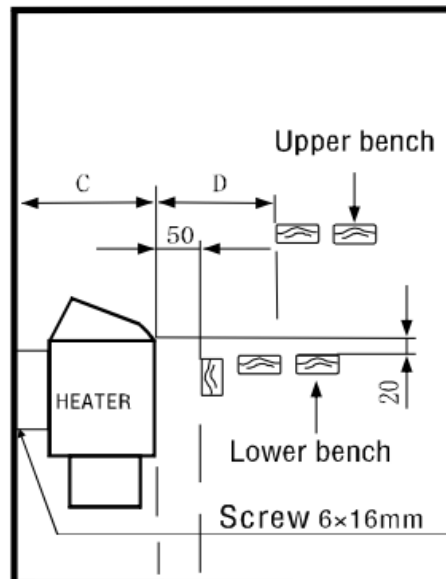
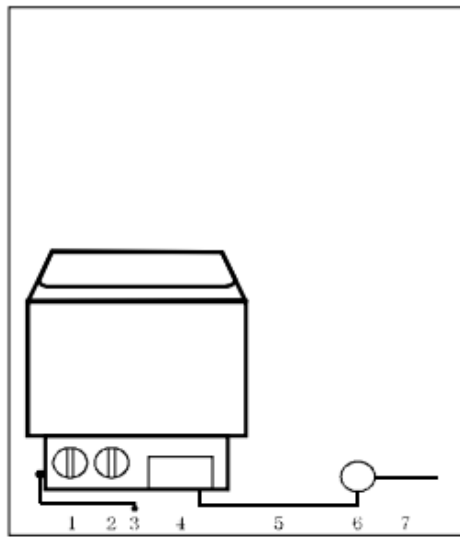


Figure 3



- 1、 Power switch
- 2、 Thermostat
- 3、 Teperature limit reposition
- 4、 Junction box
- 5、 Electricity supply cable
- 6、 Electricity connection box
- 7、 Connecting cable

Figure 4

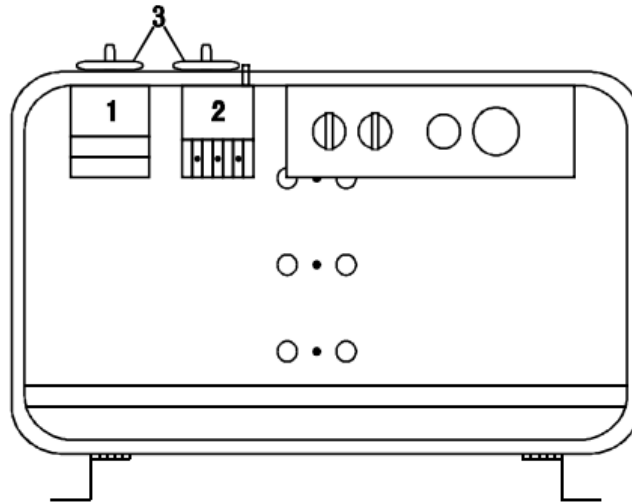


Figure 5

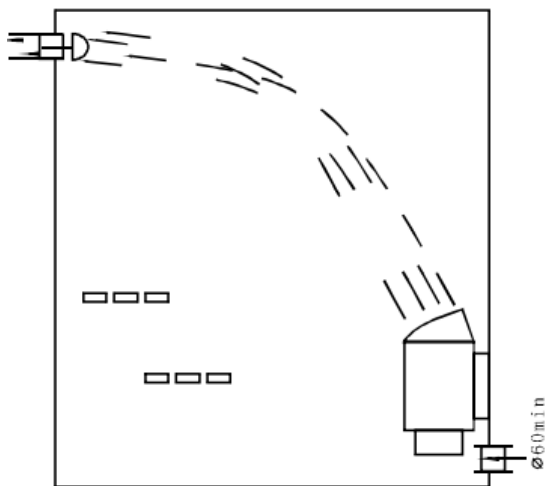
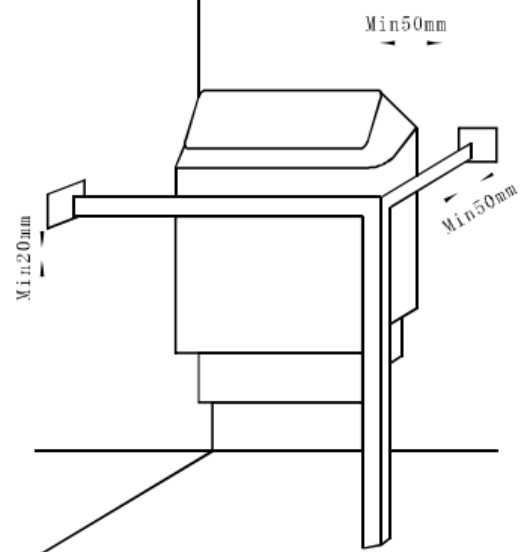


Figure 6



MAINTENANCE

- Regularly treat the outside of the sauna with wood protection products.
- We recommend placing a mat or carpet in front of the sauna entrance to prevent the transfer of dirt into the sauna.
- Regularly clean the surface of the sauna from dirt.
- Change the heating stones after 500 hours of normal operation.

ENVIRONMENT PROTECTION

After the product lifespan expired or if the possible repairing is uneconomic, dispose it according to the local laws and environmentally friendly in the nearest scrapyard.

By proper disposal you will protect the environment and natural sources. Moreover, you can help protect human health. If you are not sure in correct disposing, ask local authorities to avoid law violation or sanctions.

Don't put the batteries among house waste but hand them in to the recycling place.

TERMS AND CONDITIONS OF WARRANTY, WARRANTY CLAIMS

General Conditions of Warranty and Definition of Terms

All Warranty Conditions stated here under determine Warranty Coverage and Warranty Claim Procedure. Conditions of Warranty and Warranty Claims are governed by Act No. 89/2012 Coll. Civil Code, and Act No. 634/1992 Coll., Consumer Protection, as amended, also in cases that are not specified by these Warranty rules.

The seller is SEVEN SPORT s.r.o. with its registered office in Strakonická street 1151/2c, Prague 150 00, Company Registration Number: 26847264, registered in the Trade Register at Regional Court in Prague, Section C, Insert No. 116888.

According to valid legal regulations it depends whether the Buyer is the End Customer or not.

“The Buyer who is the End Customer” or simply the “End Customer” is the legal entity that does not conclude and execute the Contract in order to run or promote his own trade or business activities.

“The Buyer who is not the End Customer” is a Businessman that buys Goods or uses services for the purpose of using the Goods or services for his own business activities. The Buyer conforms to the General Purchase Agreement and business conditions.

These Conditions of Warranty and Warranty Claims are an integral part of every Purchase Agreement made between the Seller and the Buyer. All Warranty Conditions are valid and binding, unless otherwise specified in the Purchase Agreement, in the Amendment to this Contract or in another written agreement.

Warranty Conditions

Warranty Period

The Seller provides the Buyer a 24 months Warranty for Goods Quality, unless otherwise specified in the Certificate of Warranty, Invoice, Bill of Delivery or other documents related to the Goods. The legal warranty period provided to the Consumer is not affected.

By the Warranty for Goods Quality, the Seller guarantees that the delivered Goods shall be, for a certain period of time, suitable for regular or contracted use, and that the Goods shall maintain its regular or contracted features.

Batteries

6-month battery warranty – we guarantee that battery's nominal capacity does not fall below 70% of its total capacity within 6 months of the product's sale.

The Warranty does not cover defects resulting from (if applicable):

- User's fault, i.e. product damage caused by unqualified repair work, improper assembly, insufficient insertion of seat post into frame, insufficient tightening of pedals and cranks
- Improper maintenance
- Mechanical damages
- Regular use (e.g. wearing out of rubber and plastic parts, moving mechanisms, joints, wear of brake pads/blocks, chain, tires, cassette/multi wheel etc.)
- Unavoidable event, natural disaster
- Adjustments made by unqualified person
- Improper maintenance, improper placement, damages caused by low or high temperature, water, inappropriate pressure, shocks, intentional changes in design or construction etc.

Warranty Claim Procedure

The Buyer is obliged to check the Goods delivered by the Seller immediately after taking the responsibility for the Goods and its damages, i.e. immediately after its delivery. The Buyer must check the Goods so that he discovers all the defects that can be discovered by such check.

When making a Warranty Claim the Buyer is obliged, on request of the Seller, to prove the purchase and validity of the claim by the Invoice or Bill of Delivery that includes the product's serial number, or eventually by the documents without the serial number. If the Buyer does not prove the validity of the Warranty Claim by these documents, the Seller has the right to reject the Warranty Claim.

If the Buyer gives notice of a defect that is not covered by the Warranty (e.g. in the case that the Warranty Conditions were not fulfilled or in the case of reporting the defect by mistake etc.), the Seller is eligible to require a compensation for all the costs arising from the repair. The cost shall be calculated according to the valid price list of services and transport costs.

If the Seller finds out (by testing) that the product is not damaged, the Warranty Claim is not accepted. The Seller reserves the right to claim a compensation for costs arising from the false Warranty Claim.

In case the Buyer makes a claim about the Goods that is legally covered by the Warranty provided by the Seller, the Seller shall fix the reported defects by means of repair or by the exchange of the damaged part or product for a new one. Based on the agreement of the Buyer, the Seller has the right to exchange the defected Goods for a fully compatible Goods of the same or better technical characteristics. The Seller is entitled to choose the form of the Warranty Claim Procedures described in this paragraph.

The Seller shall settle the Warranty Claim within 30 days after the delivery of the defective Goods, unless a longer period has been agreed upon. The day when the repaired or exchanged Goods is handed over to the Buyer is considered to be the day of the Warranty Claim settlement. When the Seller is not able to settle the Warranty Claim within the agreed period due to the specific nature of the Goods defect, he and the Buyer shall make an agreement about an alternative solution. In case such agreement is not made, the Seller is obliged to provide the Buyer with a financial compensation in the form of a refund.

CZ
SEVEN SPORT s.r.o.

Registered Office: Strakonická 1151/2c, Praha 5, 150 00, ČR
Headquarters: Dělnická 957, Vítkov, 749 01
Warranty & Service: Čermenská 486, Vítkov 749 01

CRN: 26847264
VAT ID: CZ26847264

Phone: +420 556 300 970
E-mail: eshop@insportline.cz
reklamace@insportline.cz
servis@insportline.cz

Web: www.inSPORTline.cz

SK
inSPORTline s.r.o.

Headquarters, warranty & service center: Električná 6471,
Trenčín 911 01, SK

CRN: 36311723
VAT ID: SK2020177082

Phone: +421(0)326 526 701
E-mail: objednavky@insportline.sk
reklamacie@insportline.sk
servis@insportline.sk

Web: www.inSPORTline.sk

About shipping

