



## **USER MANUAL – EN**

### **IN 25976 Downhill helmet W-TEC Campanero**

SevenSport s.r.o. reserves the right to make any changes and improvements to its product without prior notice. Visit our website [www.insportline.eu](http://www.insportline.eu) where you will find the latest version of the manual.

#### **SAFETY INSTRUCTIONS**

##### **WARNING!**

Read manual carefully and follow instructions. To be effective a helmet must fit properly and be worn correctly.

##### **GENERAL INSTRUCTIONS**

All safety equipment has limitations. Helmets reduce or prevent many injuries, but no helmet can protect the wearer from all foreseeable accidents. Depending on the type of impact, even a very low speed accident can result in serious injury or death. Wear a helmet designed for the purposes it was manufactured. This helmet is intended for skateboard, in-line skates and roller skates' users. It is not intended for motorcycle, motor sports etc.

Not all head injuries are caused by impacts some accidents that do not involve direct impact can still result in serious internal head injury. Helmets cannot prevent this type of injury since this helmet is made of expanded polystyrene foam, there is a chance it may be penetrated by sharp objects.

Helmet does not protect the neck or any part of the head it does not cover. Always wear a helmet low enough in front to protect the forehead. Make sure the helmet fits snugly and the straps are adjusted to hold the helmet firmly in place.

##### **RECOMMENDATIONS**

- Wear the helmet in proper position.
- Fasten the chin buckle and tighten the chin strap.
- Check strap adjustment every time you wear your helmet.
- Inspect your helmet regularly for signs of wear or damage.
- Replace your helmet immediately if it shows visible signs of wear or damage.
- Replace your helmet after an impact or accident, even if no damage is visible.
- Clean your helmet with mild soap and water only.
- Store your helmet in a cool dry place, away from heat or direct sunlight.
- Always wear your helmet, even on short rides.
- Ride safely.

##### **PROHIBITIONS**

- Wear a helmet that has been in an accident, even if no damage is visible.
- Remove or attach anything to the helmet unless recommended by the manufacturer.

- Wear someone else's helmet.
- Wear anything under your helmet.
- Wear your helmet with the chin buckle unfastened.
- Take unnecessary risks just because you're wearing a helmet.
- Wear a helmet while playing on playground equipment.
- Lend your helmet.

## **SAFETY INSTRUCTIONS**

A helmet is not a toy. Do not allow your children to play with it. They can accidentally damage it or hurt themselves. Children should always wear helmets while riding their bikes, skating, skateboarding, roller-skating, but should not wear bike helmets while playing, especially on playground. Helmet can get stuck in openings on playground, resulting in serious injury or death. This helmet should not be used by children while climbing or doing other activities when there is a risk of strangulation/ hanging if the children get trapped with the helmet.

## **HELMET AFTER ACCIDENT**

This helmet is designed to absorb shock by partial destruction of the shell and liner. This damage may not be visible. Therefore, if subjected to a severe blow, **THE HELMET SHOULD BE DESTROYED AND REPLACED**, even if it appears undamaged. Protection may not be adequate for the future. After a hard impact helmet should be thrown away and destroyed. Helmet should be replaced when visible are signs of wear.

## **FITTING THE HELMET**

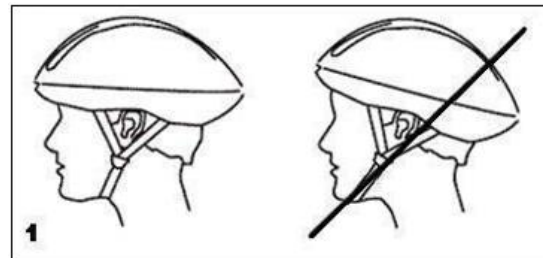
Helmet can be offered in few sizes. Select correct size. Helmet often possess regulation system for example head lock. You should fit helmet correctly using regulation knob. Make sure that regulation system is locked.

### **STEP 1 Wear your helmet in the proper position.**

Always wear your helmet low enough in the front to protect the forehead (fig 1).

### **WARNING!**

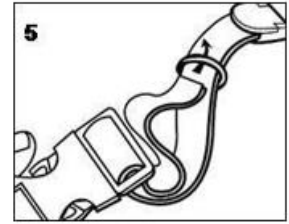
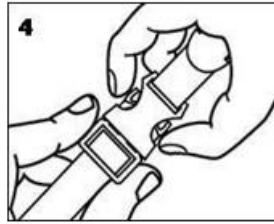
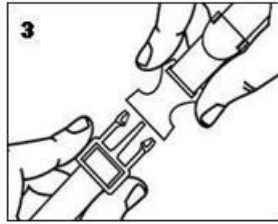
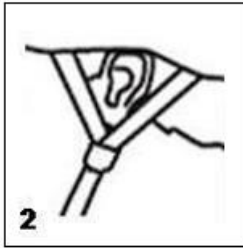
**All fitting adjustments must be made with the Helmut in the proper position. Failure to do so will result in a poor fit and may allow the helmet to move out of position or come off in an accident.**



### **STEP 2 Adjusting the straps.**

The front and rear side straps should join at a point slightly below and in front of the ears (fig 2).

Always wear your helmet with the chin straps buckle fastened, and the strap pulled tight. Make sure the strap is well back against the throat. Figures 3 and 4 show how to fasten and release the buckle. Make sure the loose ends of the chin strap pass through the rubber O-ring, as shown in figure 5. If they do not, they may loosen, and the helmet may come off in an accident.

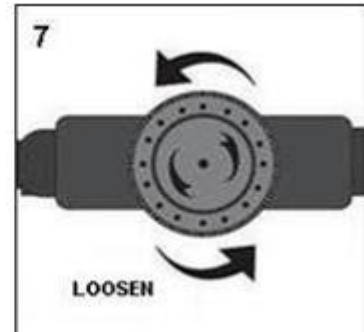
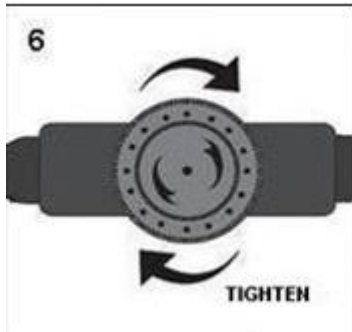


### STEP 3 Selecting the correct fit.

Adjustment is made by using inner pads and by adjusting regulation system (head lock). Follow steps 1-2, above and then tighten, or loosen head lock knob.

To tighten the head lock system, turn the adjusting knob clockwise (fig 6). To loosen the head lock system, turn the adjusting knob counterclockwise (fig 7).

When the helmet is in place, you should also feel a light pressure on the sides and top of your head. If you do not, insert the thicker pads provided along the sides and top of the helmet to achieve a snug, comfortable fit.



### WARNING!

If you cannot adjust the helmet to fit properly according to step 3, DO NOT USE THE HELMET. Replace it with a different size or model.

### CLEANING

Helmets are made of materials that can be easily damaged by many household cleaners. Petroleum-based solvents are especially dangerous. They can damage a helmet so that its protective capabilities are significantly reduced.

For best results, use only a soft cloth or sponge, warm water, and mild soap to clean your helmet.

### STORAGE

After each use, wipe excess dirt off your helmet with a soft cloth. If you clean it according to the instructions above, allow it to air dry and then store in a cool, dry place. Excessive heat and direct sunlight can damage your helmet. Damaged helmets will appear to have uneven or bubbly surfaces. Never use your helmet if you suspect that it has been damaged by heat or sun exposure.



EN 1078

The product meets standard EN1078:2012+A1:2012 according to EU 2016/425.

### ENVIRONMENT PROTECTION

After the product lifespan expired or if the possible repairing is uneconomic, dispose it according to the local laws and environmentally friendly in the nearest scrapyard.

By proper disposal you will protect the environment and natural sources. Moreover, you can help protect human health. If you are not sure in correct disposing, ask local authorities to avoid law violation or sanctions.

## **TERMS AND CONDITIONS OF WARRANTY, WARRANTY CLAIMS**

### **General Conditions of Warranty and Definition of Terms**

All Warranty Conditions stated here under determine Warranty Coverage and Warranty Claim Procedure. Conditions of Warranty and Warranty Claims are governed by Act No. 89/2012 Coll. Civil Code, and Act No. 634/1992 Coll., Consumer Protection, as amended, also in cases that are not specified by these Warranty rules.

The seller is SEVEN SPORT s.r.o. with its registered office in Strakonická street 1151/2c, Prague 150 00, Company Registration Number: 26847264, registered in the Trade Register at Regional Court in Prague, Section C, Insert No. 116888.

According to valid legal regulations it depends whether the Buyer is the End Customer or not.

“The Buyer who is the End Customer” or simply the “End Customer” is the legal entity that does not conclude and execute the Contract in order to run or promote his own trade or business activities.

“The Buyer who is not the End Customer” is a Businessman that buys Goods or uses services for the purpose of using the Goods or services for his own business activities. The Buyer conforms to the General Purchase Agreement and business conditions.

These Conditions of Warranty and Warranty Claims are an integral part of every Purchase Agreement made between the Seller and the Buyer. All Warranty Conditions are valid and binding, unless otherwise specified in the Purchase Agreement, in the Amendment to this Contract or in another written agreement.

### **Warranty Conditions**

#### **Warranty Period**

The Seller provides the Buyer a 24 months Warranty for Goods Quality, unless otherwise specified in the Certificate of Warranty, Invoice, Bill of Delivery or other documents related to the Goods. The legal warranty period provided to the Consumer is not affected.

By the Warranty for Goods Quality, the Seller guarantees that the delivered Goods shall be, for a certain period of time, suitable for regular or contracted use, and that the Goods shall maintain its regular or contracted features.

#### **The Warranty does not cover defects resulting from (if applicable):**

- User's fault, i.e. product damage caused by unqualified repair work, improper assembly, insufficient insertion of seat post into frame, insufficient tightening of pedals and cranks
- Improper maintenance
- Mechanical damages
- Regular use (e.g. wearing out of rubber and plastic parts, moving mechanisms, joints, wear of brake pads/blocks, chain, tires, cassette/multi wheel etc.)
- Unavoidable event, natural disaster
- Adjustments made by unqualified person
- Improper maintenance, improper placement, damages caused by low or high temperature, water, inappropriate pressure, shocks, intentional changes in design or construction etc.

### **Warranty Claim Procedure**

The Buyer is obliged to check the Goods delivered by the Seller immediately after taking the responsibility for the Goods and its damages, i.e. immediately after its delivery. The Buyer must check the Goods so that he discovers all the defects that can be discovered by such check.

When making a Warranty Claim the Buyer is obliged, on request of the Seller, to prove the purchase and validity of the claim by the Invoice or Bill of Delivery that includes the product's serial number, or eventually by the documents without the serial number. If the Buyer does not prove the validity of the Warranty Claim by these documents, the Seller has the right to reject the Warranty Claim.

If the Buyer gives notice of a defect that is not covered by the Warranty (e.g. in the case that the Warranty Conditions were not fulfilled or in the case of reporting the defect by mistake etc.), the Seller is eligible to require a compensation for all the costs arising from the repair. The cost shall be calculated according to the valid price list of services and transport costs.

If the Seller finds out (by testing) that the product is not damaged, the Warranty Claim is not accepted. The Seller reserves the right to claim a compensation for costs arising from the false Warranty Claim.

In case the Buyer makes a claim about the Goods that is legally covered by the Warranty provided by the Seller, the Seller shall fix the reported defects by means of repair or by the exchange of the damaged part or product for a new one. Based on the agreement of the Buyer, the Seller has the right to exchange the defected Goods for a fully compatible Goods of the same or better technical characteristics. The Seller is entitled to choose the form of the Warranty Claim Procedures described in this paragraph.

The Seller shall settle the Warranty Claim within 30 days after the delivery of the defective Goods, unless a longer period has been agreed upon. The day when the repaired or exchanged Goods is handed over to the Buyer is considered to be the day of the Warranty Claim settlement. When the Seller is not able to settle the Warranty Claim within the agreed period due to the specific nature of the Goods defect, he and the Buyer shall make an agreement about an alternative solution. In case such agreement is not made, the Seller is obliged to provide the Buyer with a financial compensation in the form of a refund.

**CZ**  
**SEVEN SPORT s.r.o.**

Registered Office: Strakonická 1151/2c, Praha 5, 150 00,  
ČR

Headquarters: Dělnická 957, Vítkov, 749 01

Warranty & Service: Čermenská 486, Vítkov 749 01

CRN: 26847264

VAT ID: CZ26847264

Phone: +420 556 300 970

E-mail: eshop@insportline.cz  
reklamace@insportline.cz  
servis@insportline.cz

Web: www.inSPORTline.cz

**SK**  
**inSPORTline s.r.o.**

Headquarters, warranty & service center: Električná 6471,  
Trenčín 911 01, SK

CRN: 36311723

VAT ID: SK2020177082

Phone: +421(0)326 526 701

E-mail: objednavky@insportline.sk  
reklamacie@insportline.sk  
servis@insportline.sk

Web: www.inSPORTline.sk

Certified by:

ALIÉNOR CERTIFICATION (N°2754)

Z.A. DU SANITAL 21 RUE ALBERT EINSTEIN

86100 CHATELLERAULT – FRANCE

The helmet is only suitable for bikes, skateboards and roller skates. Not suitable for motorcycles or other motorized vehicles or sport activities.

**About shipping**

